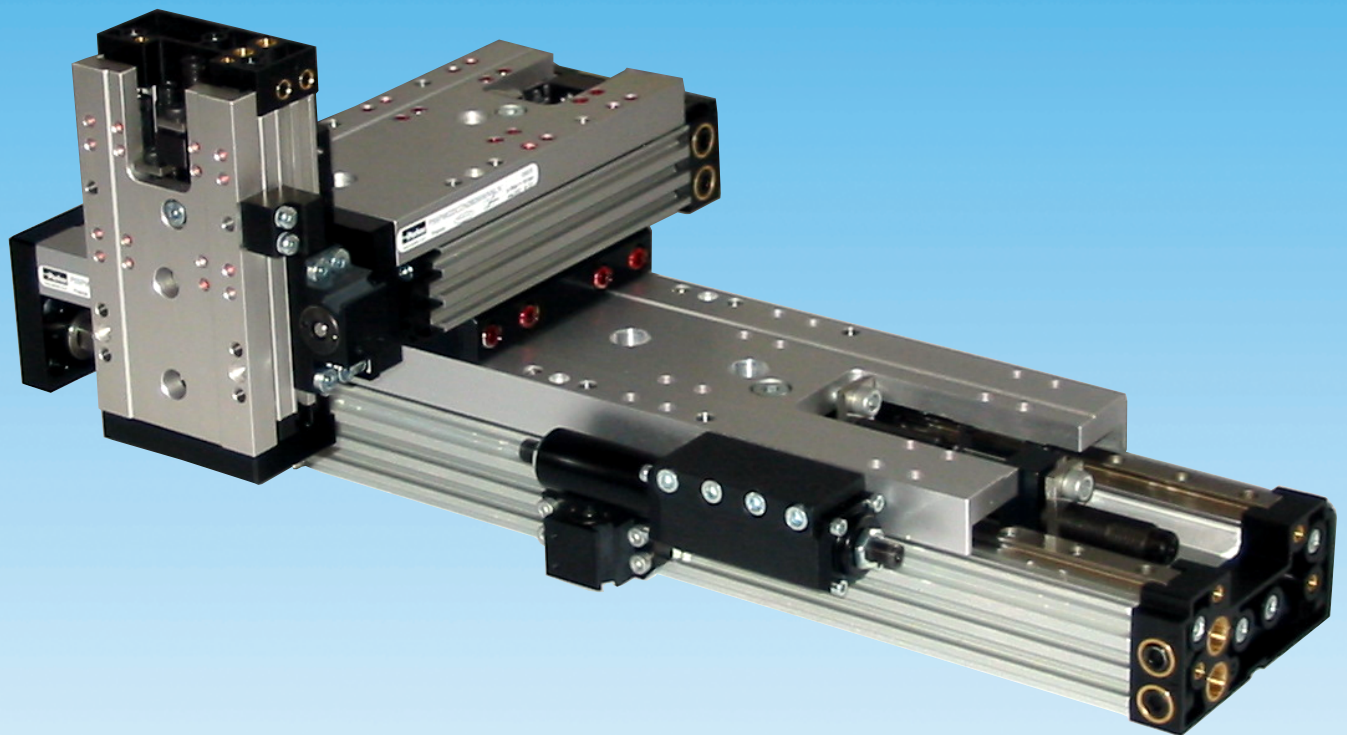




Precision Slide Table P5SP Series

Sizes 12, 16, 20 and 25 mm

Catalogue : 2251GB-1-po



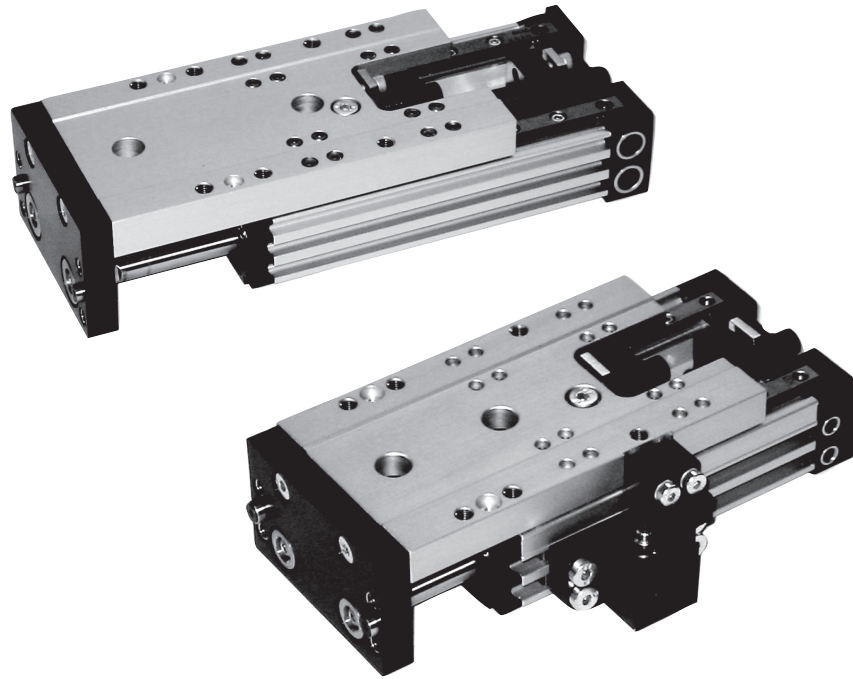
**WARNING**

FAILURE OR IMPROPER SELECTION OR IMPROPER USE OF THE PRODUCTS AND/OR SYSTEMS DESCRIBED HEREIN OR RELATED ITEMS CAN CAUSE DEATH, PERSONAL INJURY AND PROPERTY DAMAGE.

This document and other information from Parker Hannifin Corporation, its subsidiaries and authorized distributors provide product and/or system options for further investigation by users having technical expertise. It is important that you analyze all aspects of your application and review the information concerning the product or system in the current product catalog. Due to the variety of operating conditions and applications for these products or systems, the user, through its own analysis and testing, is solely responsible for making the final selection of the products and systems and assuring that all performance, safety and warning requirements of the application are met. The products described herein, including without limitation, product features, specifications, designs, availability and pricing, are subject to change by Parker Hannifin Corporation and its subsidiaries at any time without notice.

SALE CONDITIONS

The items described in this document are available for sale by Parker Hannifin Corporation, its subsidiaries or its authorized distributors. Any sale contract entered into by Parker will be governed by the provisions stated in Parker's standard terms and conditions of sale (copy available upon request).



Contents

Applications.....	2-3
Description.....	4-5
General features.....	6-7
Range.....	8
Technical information.....	9-11
Precision Slide Table size 12.....	12-13
Precision Slide Table size 16.....	14-15
Precision Slide Table size 20.....	16-17
Precision Slide Table size 25.....	18-19
Options.....	20-23
Order key.....	24-25
Detection.....	26
Mounting kits.....	27 to 44
Spare parts.....	45



Important !

Before attempting any external or internal work on the slide table or any connected components, make sure the slide table is vented and disconnect the air supply in order to ensure isolation of the air supply.



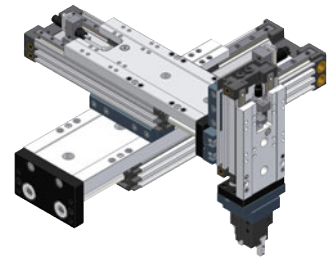
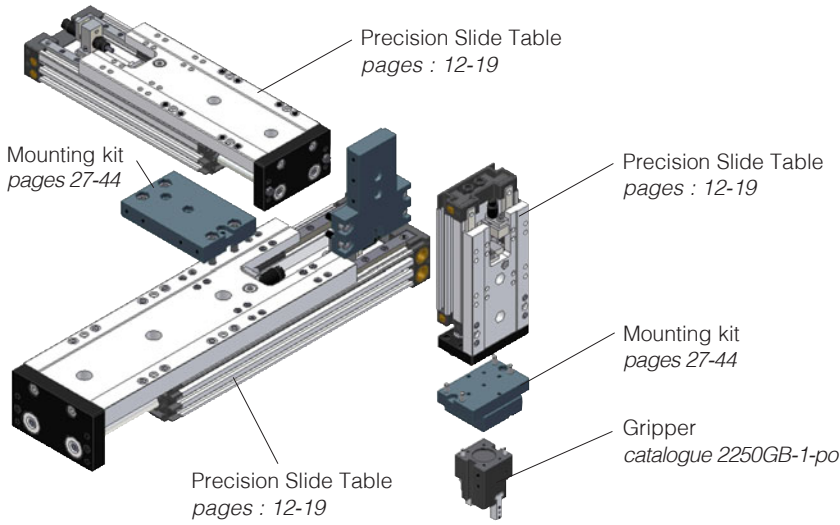
Nota !

Air quality is essential for maximum slide table life (see ISO 8573)

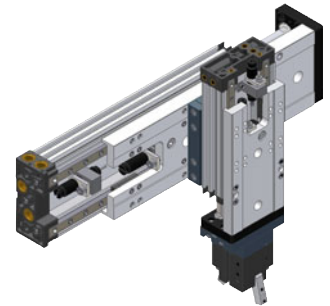
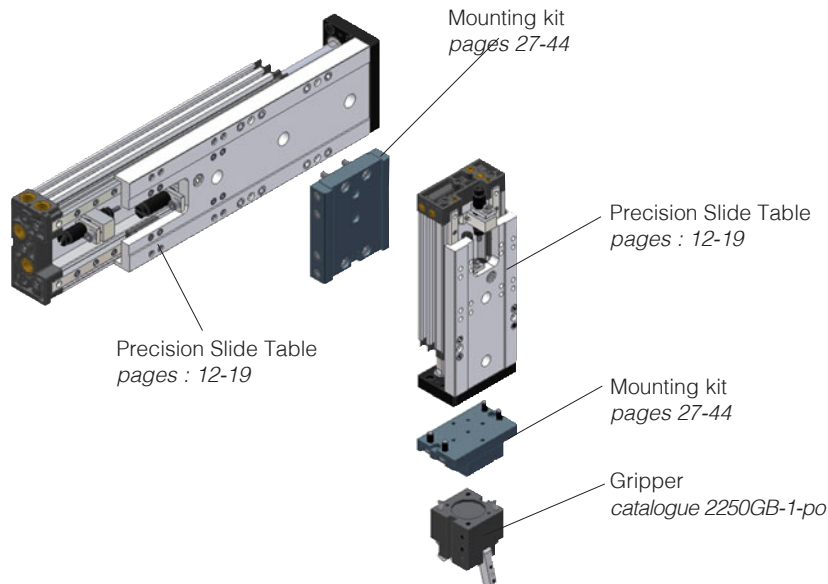
Note

All technical data in this catalogue are typical data only.

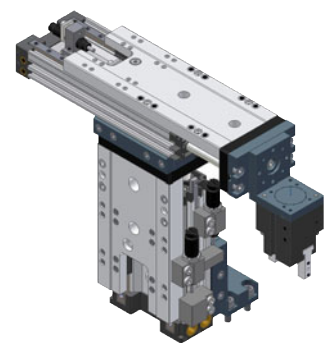
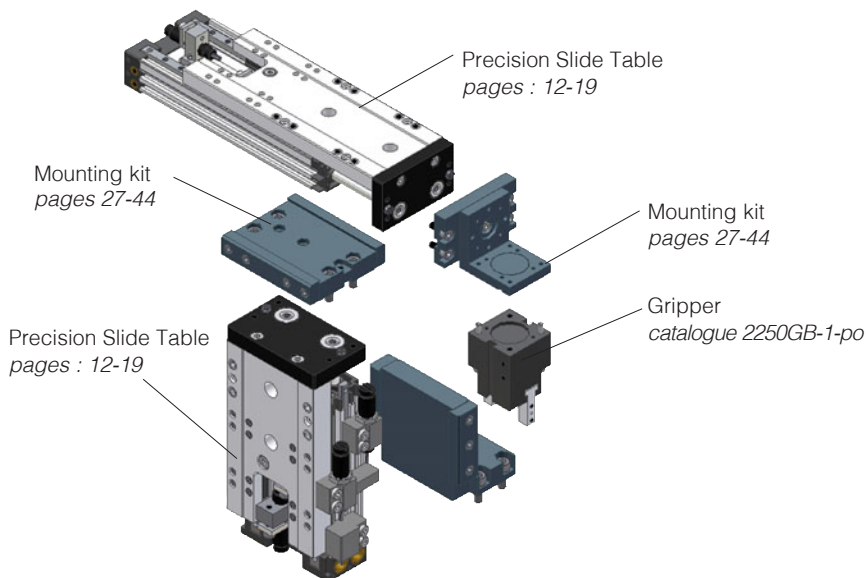
Multi-axis



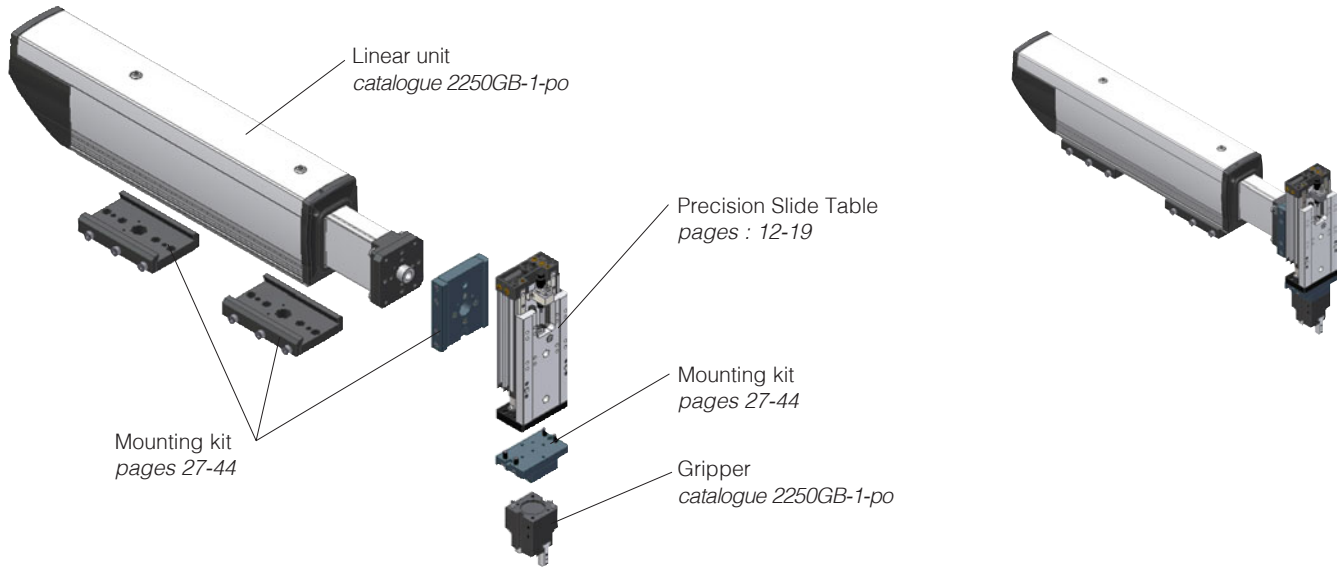
As Gantry



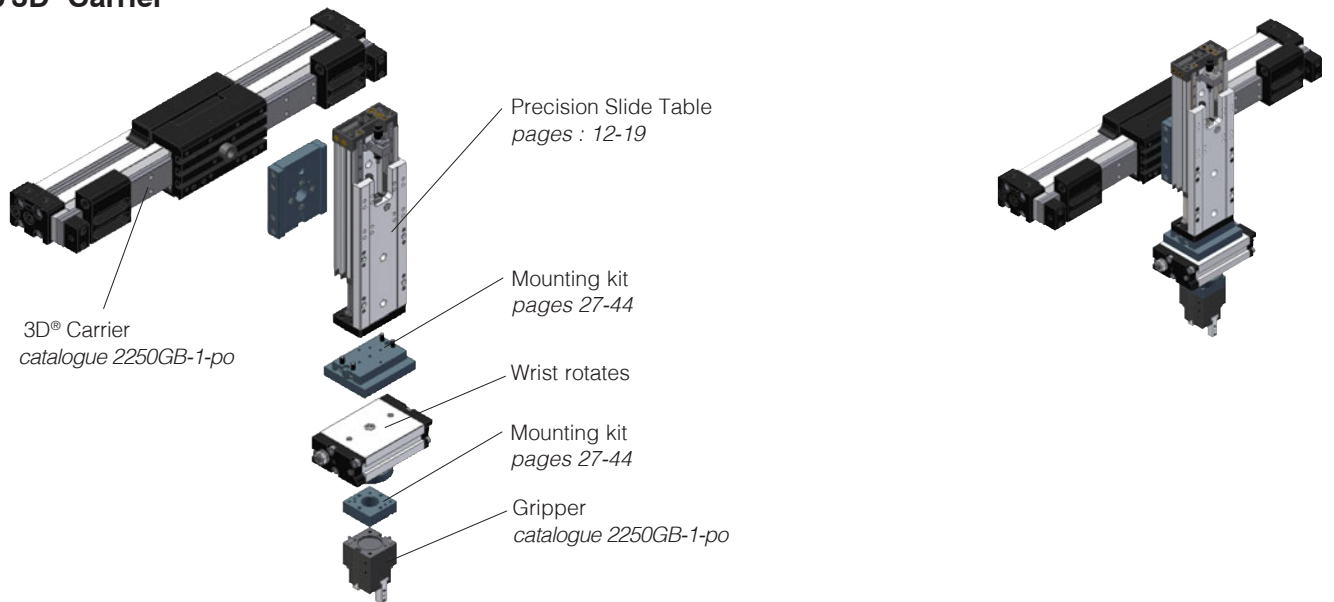
Vertical position



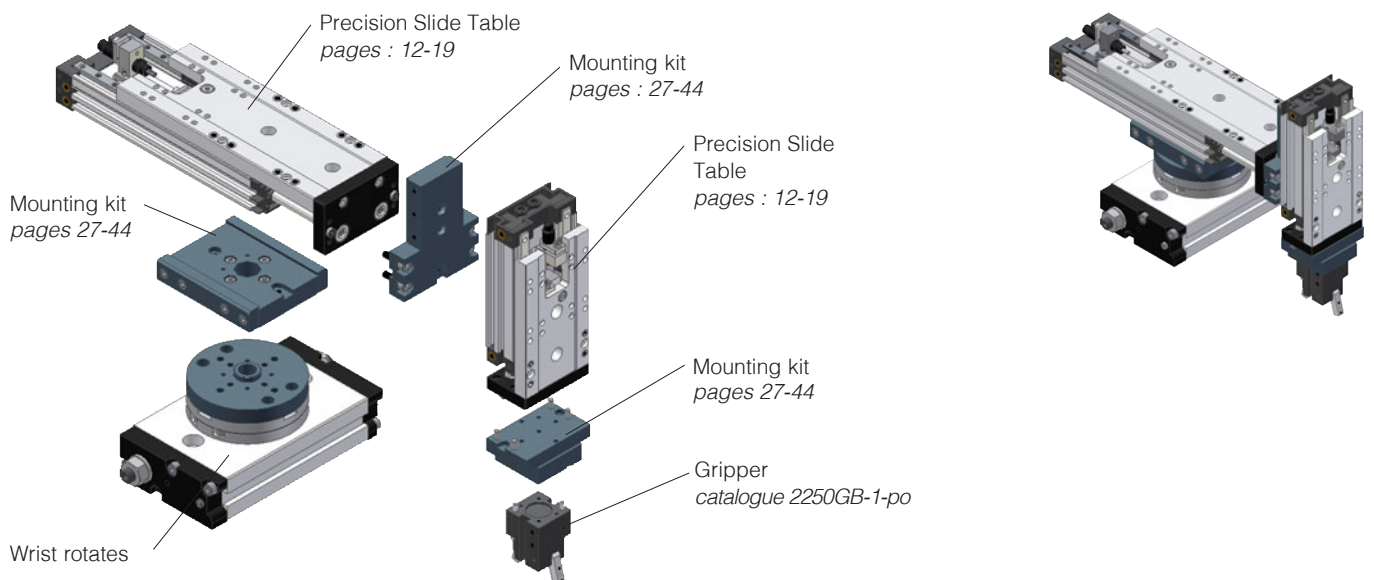
To 3D® Linear unit

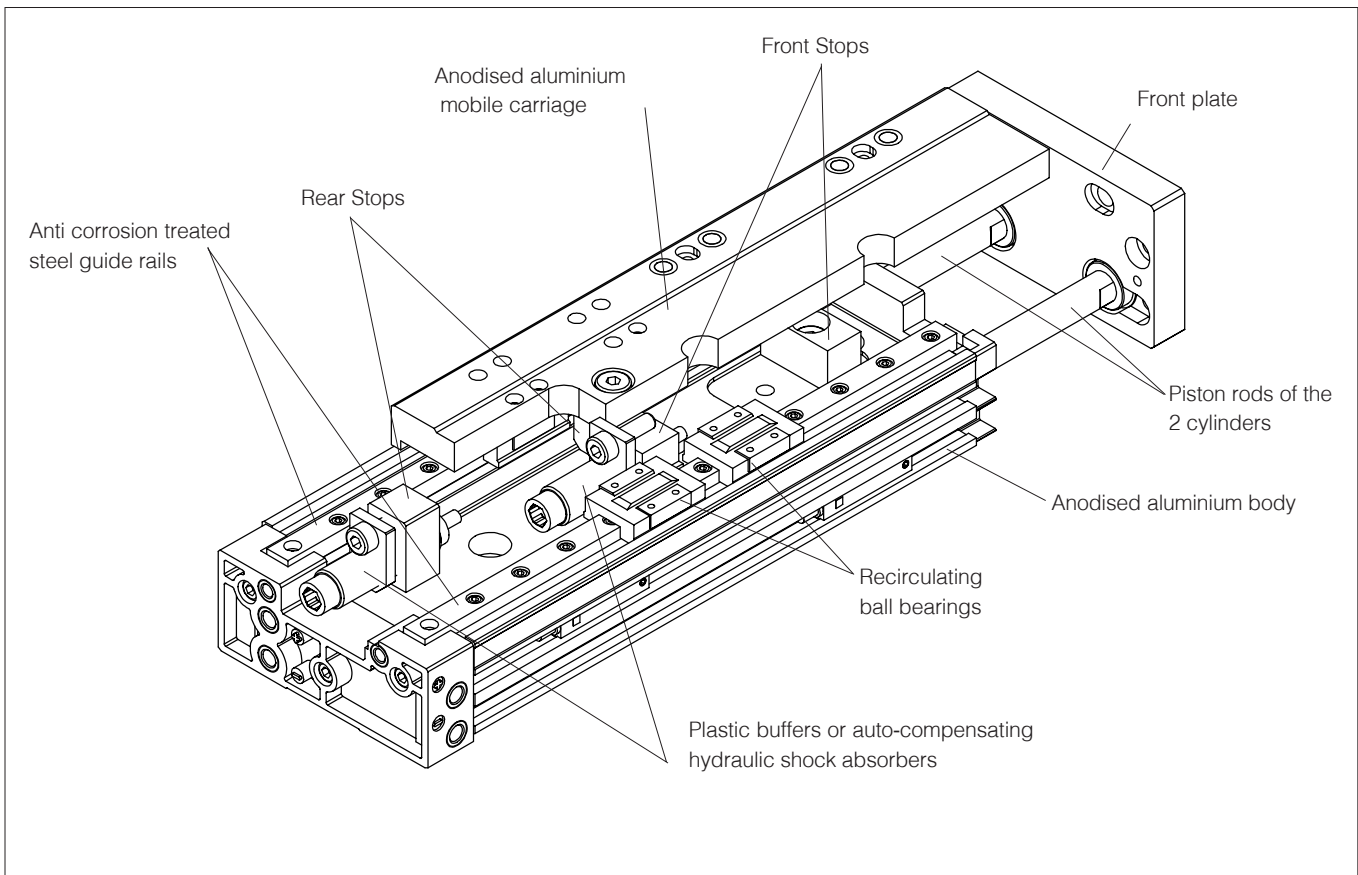


To 3D® Carrier



To Wrist rotates





Description

The Precision Slide Table is a pneumatic actuator, operated by 2 cylinders mounted in parallel for moving loads fitted on its mobile carriage or on its front plate quickly and accurately.

They incorporate many features :

- Guidance
- Cushionings
- Stroke adjustments
- Mounting kits

Guiding

The Precision Slide Table has 2 or 4 stainless steel ball bearings guided by 2 rails fitted on the body.

This device provides outstanding accuracy and a very precise guidance.

Cushioning

Each end of stroke is provided with a plastic buffer or auto-compensating hydraulic shock absorber for absorbing impacts and controlling deceleration.

Stroke adjustment

Each end of stroke is precisely adjustable even when the Precision Slide Table is pressurised. Additionally, the front stop can be moved in steps providing an extra adjustment.

Mounting

Direct mounting to machine surface.

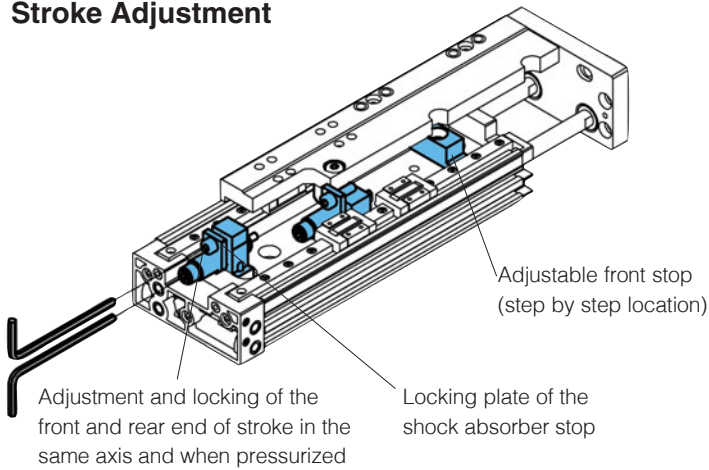
Mounting kits provide the possibility to fix the Precision Slide Table on 4 sides and to assemble the Precision Slide Tables in combinations.

Options

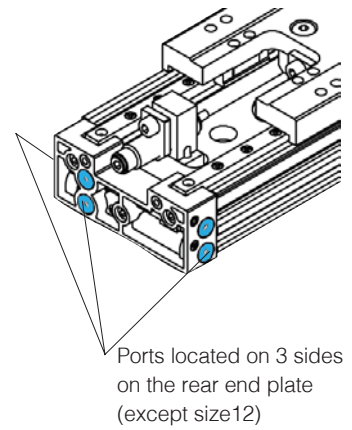
The following options are available to enlarge the Precision Slide Tables functions :

- **Flow controllers** : 90° elbow with push-in connection providing accurate speed control in each direction.
- **Reed switches or magneto-inductive sensors** : provides accurate position sensing at the beginning, during and at the end of stroke.
- **External hydraulic cushionings** : when internal adjustments are not accessible.
- **External plastic buffers** : when internal adjustments are not accessible.
- **MPS (Mid position stop)** : provides a precise carriage stop along the stroke.
The MPS can operate in both directions stopping at the same stop point with fine position adjustment.
- **Locking**: this option is for locking the movement in the event of the compressed air supply failure ; mainly when the Precision Slide Table is used in vertical position.
- **Blank plate**: a front blank plate without mounting holes can replace the standard plate for a customised mounting.

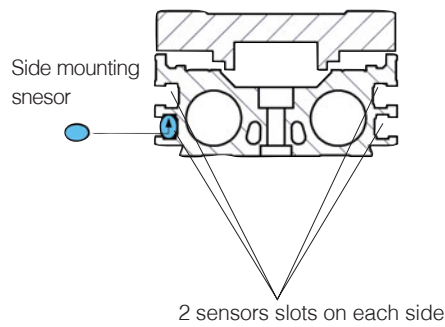
Stroke Adjustment



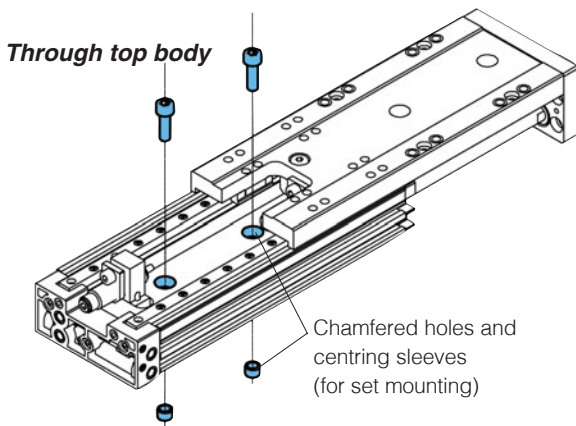
Pneumatic connection



Detection

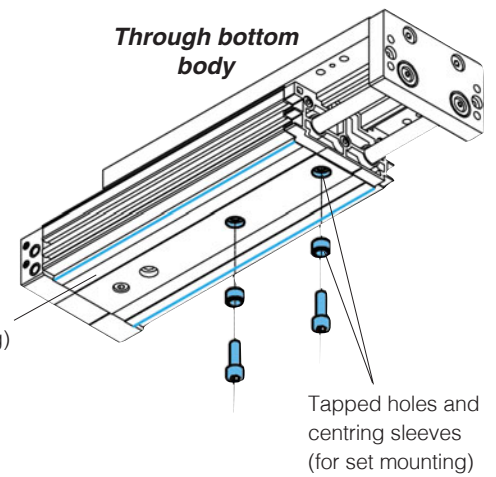


Precision slide table

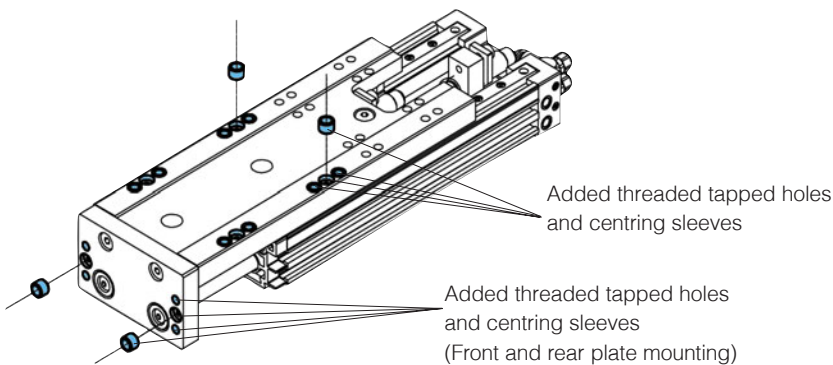


Through bottom body

Dovetail profile (for adjustable mounting) (size 12 optional)



Mounting on Precision Slide Table



Similar settings on mobile carriage and front plate

General features sizes 12 and 16

Size	12						16								
Stroke (mm)	10	25	40	55	70	100	10	25	40	55	70	100	130	160	190
Stroke tolerance (mm)	0 /+2						0 /+2								
Stroke adjustment	See chart below						See chart below								
Cylinder bore (mm)	2 X Ø12						2 X Ø16								
Equivalent Ø of cylinder (mm)	Ø17						Ø23								
Piston rod diameter (mm)	2 X Ø6						2 X Ø8								
Equivalent Ø of piston rod (mm)	Ø9						Ø12								
Repeatability (mm)	0,03						0,03								
Temperature (C°)	0 to + 65						0 to + 65								
Operation	Dry air lubricated or unlubricated						Dry air lubricated or unlubricated								
Connection (6 ports)	M5						M5								
Theoretical thrust (N)*															
Extension	130						230								
Retraction	100						170								
Mi./Max speed* (m/s)															
with hydraulic shock absorbers	0,15/0,65						0,15/0,65								
with Plastic buffers	0,15/0,35						0,15/0,35								
Operating pressure (bar)	2 to 8						2 to 8								
Air consumption (dm ³ /cycle)**	0,20	0,41	0,50	0,59	0,64	0,72	0,34	0,72	0,89	1,06	1,22	1,42	1,51	1,59	1,72
Flow for max cycle rate (dm ³ /s)**	0,39	0,82	1,0	1,19	1,28	1,44	0,69	1,44	1,78	2,11	2,43	2,84	3,01	3,18	3,43
Hydraulic shock absorbers															
Dimension (mm)	M8 X 28 pitch of 0,75						M10 X 43 pitch of 1								
Cushioning stroke (mm)	5,1						6,6								
Energy (J)	0,8						2								
Max frequency (cy/mn)	83						112								
Plastic buffers															
Dimension (mm)	M8 X 36 pitch of 0,75						M10 X 43 pitch of 1								
Energy (J)	0,4						0,4								
Mass Precision slide table alone (kg)	0,57	0,57	0,64	0,71	0,77	0,90	0,76	0,76	0,81	0,86	0,97	1,13	1,34	1,56	1,77
Mass in motion (kg)	0,27	0,27	0,29	0,31	0,33	0,37	0,34	0,34	0,37	0,41	0,45	0,53	0,62	0,70	0,78
Mass Options (kg)															
(2) Flow controllers	0,026						0,026								
(2) Hydraulic shock absorbers	0,02						0,06								
(2) Plastic buffers	0,03						0,045								
Mass of external hydraul. shock abs.(kg)	0,09						0,15								
Mass of external plastic buffers (kg)	0,1						0,125								
Mass MPS** (kg)	0,29						0,28								
Mass locking (kg)	0,07						0,08								

* at 6 bar pressure.

** MPS : Mid Position Stop

*** flow (dm³/s) = consumption (dm³) / cycle time (s), (1 cycle = 1 extend + 1 retract).

Possible strokes adjustment

Size	Internal stops and cushionings			External stops and cushionings	
	Rear fine adjust.	Front fine adjust.	Additional Front adjustment*	Rear fine adjust.	Front fine adjust.
12	9	9	7,5 X 4 except strokes 10 & 25 (X 2)	15	15
16	11	15	15 X 2 except strokes 10 to 40 (X 1)	15	15

Nota : fine adjustments can be adjustable under pressure. * By moving the front stop.

General features sizes 20 and 25

Size	20								25							
Stroke (mm)	20	40	60	80	100	140	180	220	25	50	75	100	150	200	250	
Stroke tolerance (mm)	0 /+2								0 /+2							
Stroke adjustment	See chart below								See chart below							
Cylinder bore (mm)	2 X Ø20								2 X Ø25							
Equivalent Ø of cylinder (mm)	Ø29								Ø36							
Piston rod diameter (mm)	2 X Ø10								2 X Ø12							
Equivalent Ø of piston rod (mm)	Ø14								Ø17							
Repeatability (mm)	0,03								0,03							
Temperature (C°)	0 to 65								0 to 65							
Operation	Dry air lubricated or unlubricated								Dry air lubricated or unlubricated							
Connection (6 ports)	G1/8"								G1/8"							
Theoretical thrust (N)*																
Extension	360								560							
Retraction	270								430							
Min/Max speed* (m/s)																
with hydraulic shock absorbers	0,15/0,8								0,15/0,8							
with Plastic buffers	0,15/0,4								0,15/0,4							
Operating pressure (bar)	2 to 8								2 to 8							
Air consumption (dm³/cycle)***	0,97	1,59	2,17	2,68	2,87	3,04	3,13	3,34	1,62	2,61	3,29	3,80	4,25	4,53	4,75	
Flow for max cycle rate (dm³/s)***	1,94	3,18	4,35	5,35	5,74	6,09	6,26	6,68	3,23	5,23	6,57	7,59	8,49	9,06	9,50	
Hydraulic shock absorbers																
Dimension (mm)	M12 X 52 pitch of 1								M14 X 69 pitch of 1,5							
Cushioning stroke (mm)	10,2								12,8							
Energy (J)	5								9							
Max frequency (cy/mn)	94								62							
Plastic buffers																
Dimension (mm)	M12 X 52 pitch of 1								M14 X 69 pitch of 1,5							
Energy (J)	0,6								0,6							
Mass Precision slide table alone (kg)	1,6	1,6	1,75	1,9	2,1	2,5	2,9	3,3	2,8	2,8	3,1	3,4	4,1	4,8	5,5	
Mass in motion (kg)	0,61	0,68	0,74	0,80	0,86	1,0	1,19	1,32	1,06	1,17	1,27	1,38	1,71	1,93	2,14	
Mass Options (kg)																
(2) Flow controllers	0,078								0,078							
(2) Hydraulic shock absorbers	0,08								0,10							
(2) Plastic buffers	0,085								0,17							
Mass of external hydraul. shock abs.(kg)	0,24								0,35							
Mass of external plastic buffers (kg)	0,25								0,42							
Mass MPS** (kg)	0,45								0,56							
Mass locking (kg)	0,1								0,14							

* at 6 bar pressure.

** MPS : Mid Position Stop

*** flow (dm³/s) = consumption (dm³) / cycle time (s), (1 cycle = 1 extend + 1 retract).

Possible stroke adjustments

Size	Internal stops and cushionings			External stops and cushionings	
	Rear fine adjust.	Front fine adjust.	Additional front adjustment*	Rear fine adjust.	Front fine adjust.
20	17	20	20 X 2 except strokes 20 & 40 (X 1)	20	20
25	25	25	20 X 2 except strokes 25 & 50 (X 1)	25	25

Note : Fine adjustments are adjustable under pressure * By moving the front stop.

Range

Standard Precision Slide Table fitted with internal plastic buffers or hydraulic shock absorbers

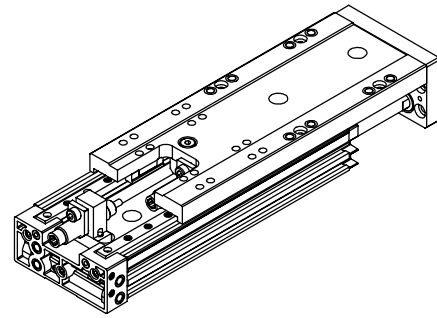
Available in 4 sizes with strokes from 10 to 250 mm.

Internal auto-compensating hydraulic shock absorbers are strongly recommended for heavy duty.

Plastic buffers can be used for low speeds or with very short strokes.

A load or another Precision Slide Table can be attached onto the mobile carriage or onto the front plate.

Multiple mounting configurations are available.

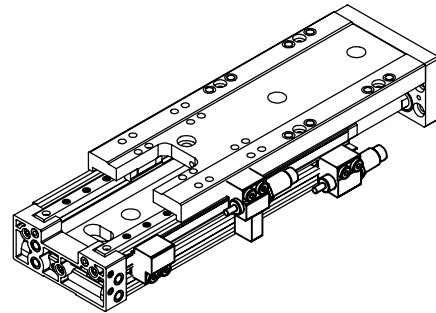


Precision Slide Table fitted with external plastic buffers or hydraulic shock absorbers

Whenever internal adjustments are not accessible, plastic buffers or hydraulic shock absorbers may be fitted on the Precision Slide Table body side.

They can be mounted right or left side of the Precision Slide Table.

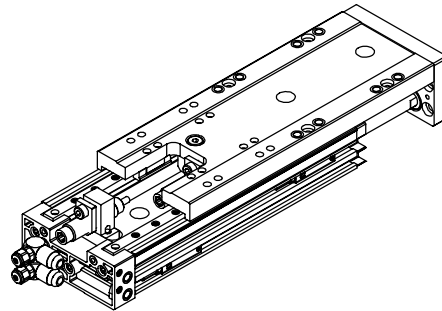
This mounting makes accessibility easier for stroke adjustments in specific mounting configurations.



Precision Slide Table with Flow Controllers

Flow controllers may be fitted on 3 sides of the Precision Slide Table rear end plate.

They provide accurate speed control when extending or retracting.

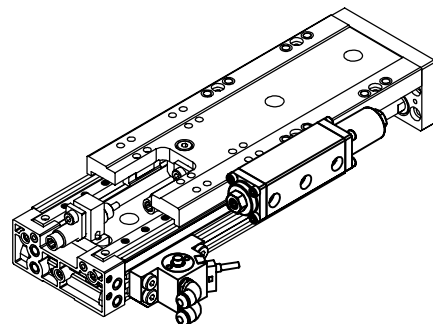


Precision Slide Table with Sensors

Magnetic switches (reed) or magneto inductive sensors for position sensing at each end of stroke.

They can be mounted right or left side of the Precision Slide Table.

A 3rd sensor may be used for additional position sensing at any point of the stroke.



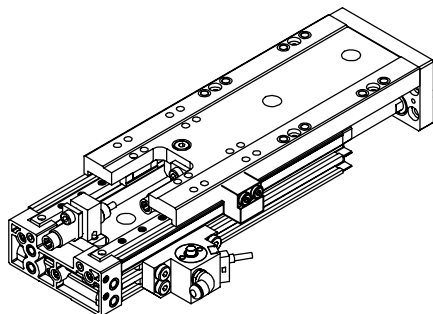
Precision Slide Table with Mid Position Stop (MPS)

The Mid Position Stop provides an additional stop of the carriage along the stroke.

It can be fitted right, left or on each side of the Precision Slide Table.

It operates in both directions with a same stop position when extending or retracting.

It is fitted with a hydraulic shock absorber which performs efficiently in both operating ways.



Precision Slide Table with End of stroke locking

This option is for locking the movement in the event of the compressed air supply being cut off mainly when the Precision Slide Table is in vertical position.

It can be supplied mounted right, left or on each side of the Precision slide Table.

Technical information

Features	Description																		
Slide guiding	On 2 rails and 4 stainless steel recirculating ball bearing																		
End of stroke stops	End of strokes are adjustable in two different ways : - Front and rear fine adjustment adjustable when pressurised - Front stop adjustable step by step (from 1 to 4 positions according to size and stroke) see possible adjustments pages 6 and 7																		
Cushioning	Plastic buffers or auto compensating hydraulic shock absorbers																		
Detection	Magnetic rings																		
Pneumatic connection	On both side and on the rear end plate side																		
Ball bearings lubrication	lifetime																		
Unit attachment	Direct by through holes (countersunk and tapped) + centring sleeves By dovetail																		
Fixing accessories on mobile carriage	Centring sleeves and tapped holes (added threads)																		
Fixing accessories on front plate	Centring sleeves and tapped holes (added threads) Same mounting as on the carriage																		
Material	<table border="0"> <tr> <td>Body and carriage :</td> <td>Colourless anodised aluminium (6060)</td> </tr> <tr> <td>Front and Rear ends :</td> <td>Plastic material (Polyamid)</td> </tr> <tr> <td>Rails</td> <td>Treated stainless steel</td> </tr> <tr> <td>Recirculating ball bearings</td> <td>Stainless steel</td> </tr> <tr> <td>Piston rods</td> <td>Stainless steel</td> </tr> <tr> <td>Centring sleeves</td> <td>Stainless steel</td> </tr> <tr> <td>Added threads</td> <td>Stainless steel</td> </tr> <tr> <td>Cylinder seals</td> <td>Nitrile</td> </tr> <tr> <td>Plastic buffers</td> <td>Blackened steel & Eladip washer 80 shore A</td> </tr> </table>	Body and carriage :	Colourless anodised aluminium (6060)	Front and Rear ends :	Plastic material (Polyamid)	Rails	Treated stainless steel	Recirculating ball bearings	Stainless steel	Piston rods	Stainless steel	Centring sleeves	Stainless steel	Added threads	Stainless steel	Cylinder seals	Nitrile	Plastic buffers	Blackened steel & Eladip washer 80 shore A
Body and carriage :	Colourless anodised aluminium (6060)																		
Front and Rear ends :	Plastic material (Polyamid)																		
Rails	Treated stainless steel																		
Recirculating ball bearings	Stainless steel																		
Piston rods	Stainless steel																		
Centring sleeves	Stainless steel																		
Added threads	Stainless steel																		
Cylinder seals	Nitrile																		
Plastic buffers	Blackened steel & Eladip washer 80 shore A																		

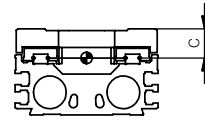
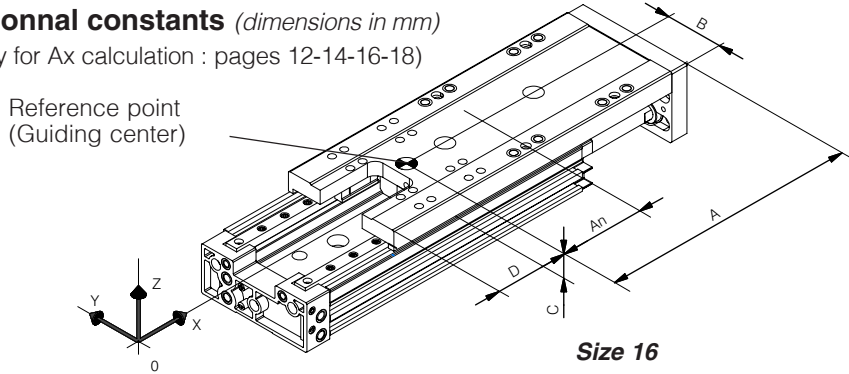
Estimated lifetime use in normal conditions : 3500 km for seals
5000 km for bearings

Options

Features	Description
Detection	Sensor mounting right or left in T slots. Magnetic switches (reed) or 3-wire magneto inductive sensors with direct reading on the sensor
Flow controllers	Plug in adjustable elbow connection at 90°
External plastic buffers	Supplied right or left mounting
External hydraulic shock absorbers	Auto-compensating shock absorbers, supplied right or left mounting
Mid Position Stop (MPS)	Supplied right or left mounting
Locking	Supplied right or left mounting
Front Blank plate (no mounting holes)	Can replace standard front plate

Technical information

Dimensional constants (dimensions in mm)
 (Necessary for Ax calculation : pages 12-14-16-18)



C : distance between guiding axis and top face of the mobile carriage

Size 12

Stroke	A	An	B	C	D
10	77,5	50,5	29,5	12,5	37,5
25	77,5	50,5	29,5	12,5	37,5
40	92,5	50,5	29,5	12,5	37,5
55	107,5	50,5	29,5	12,5	37,5
70	122,5	50,5 & 100,5	29,5	12,5	37,5
100	152,5	50,5 & 100,5	29,5	12,5	37,5

Size 16

Stroke	A	An	B	C	D
10	74,5	50,5	34,5	14	42,5
25	74,5	50,5	34,5	14	42,5
40	89,5	50,5	34,5	14	42,5
55	104,5	50,5	34,5	14	42,5
70	119,5	50,5	34,5	14	42,5
100	149,5	50,5 & 109,5	34,5	14	42,5
130	187	58 & 117	34,5	14	50
160	217	58 & 117 & 176	34,5	14	50
190	247	58 & 117 & 176	34,5	14	50

Size 20

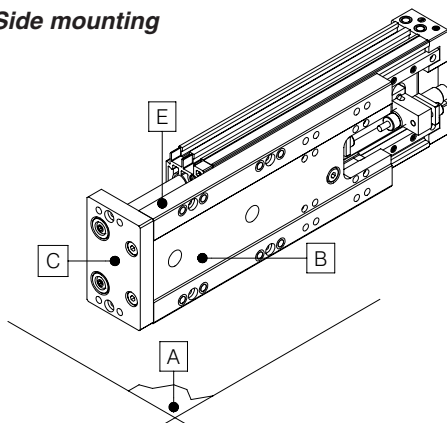
Stroke	A	An	B	C	D
20	100	59	42	16	53
40	100	59	42	16	53
60	120	59	42	16	53
80	140	59	42	16	53
100	160	59 & 131	42	16	53
140	210	69 & 141	42	16	63
180	250	69 & 141 & 213	42	16	63
220	290	69 & 141 & 213	42	16	63

Size 25

Stroke	A	An	B	C	D
25	127	74	49,5	20	68
50	127	74	49,5	20	68
75	152	74	49,5	20	68
100	177	74 & 146	49,5	20	68
150	239,5	86,5 & 158,5	49,5	20	80,5
200	289,5	86,5 & 158,5 & 230,5	49,5	20	80,5
250	339,5	86,5 & 158,5 & 230,5	49,5	20	80,5

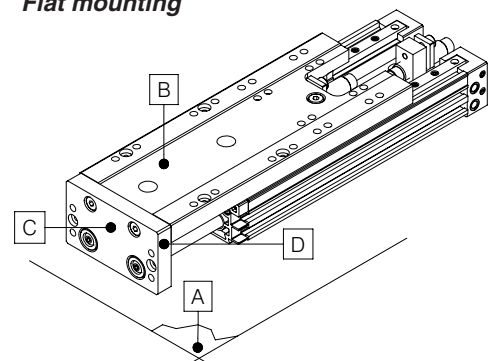
Geometrical tolerances (dimensions in mm)

Side mounting



Size	// E/A	⊥ B/A	⊥ C/A
12	0,04	0,05	0,05
16	0,04	0,05	0,05
20	0,06	0,05	0,05
25	0,06	0,05	0,05

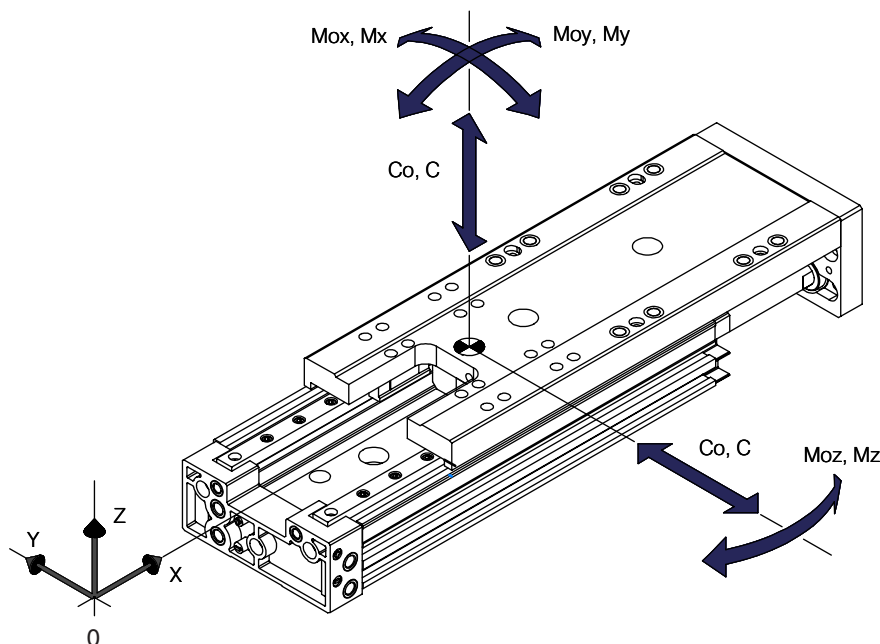
Flat mounting



Size	// B/A	⊥ D/A	⊥ C/A
12	0,04	0,05	0,05
16	0,04	0,05	0,05
20	0,06	0,05	0,05
25	0,06	0,05	0,05

Technical information

Permissible loads and moments



Permissible loads and static moments (4 bearings)

Size	12		16		20		25	
Stroke	10 to 100		10 to 100	130 to 190	20 to 100	140 to 220	25 to 100	150 to 250
Co (N)	1370		1370		2250		2814	
Mox (Nm)	36		41		86		123	
Moy (Nm)	37	37	51	74	104	142	189	
Moz (Nm)	37	37	51	74	104	142	189	

Above values are not cumulative.

Static safety margin used $F_s = 3$

Check that : $\frac{C_{1y}}{C_0} + \frac{C_{1z}}{C_0} + \frac{M_{1x}}{M_{0x}} + \frac{M_{1y}}{M_{0y}} + \frac{M_{1z}}{M_{0z}} \leq 1$

C_{1y} , C_{1z} , M_{1x} , M_{1y} et M_{1z} : values calculated according to application.

Permissible loads and dynamic moments (4 bearings)

Size	12		16		20		25	
Stroke	10 to 100		10 to 100	130 to 190	20 to 100	140 to 220	25 to 100	150 to 250
C (N)	457		457		750		938	
Mx (Nm)	9		10		21		31	
My (Nm)	9	9	13	18	26	35	47	
Mz (Nm)	9	9	13	18	26	35	47	

Above values are not cumulative.

Check that : $\frac{C_{2y}}{C} + \frac{C_{2z}}{C} + \frac{M_{2x}}{M_x} + \frac{M_{2y}}{M_y} + \frac{M_{2z}}{M_z} \leq \frac{1}{3}$ (For 5000 Kms lifetime)

C_{2y} , C_{2z} , M_{2x} , M_{2y} et M_{2z} : values calculated according to application.

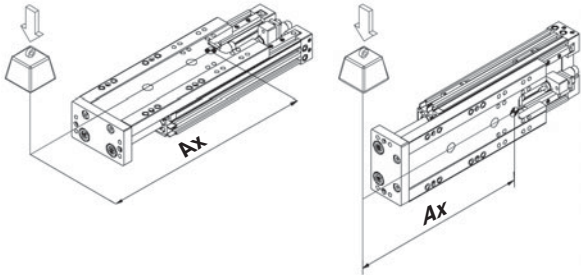
Note : Co and C values fit the permissible load of the 4 bearings.

Size 12 Curves

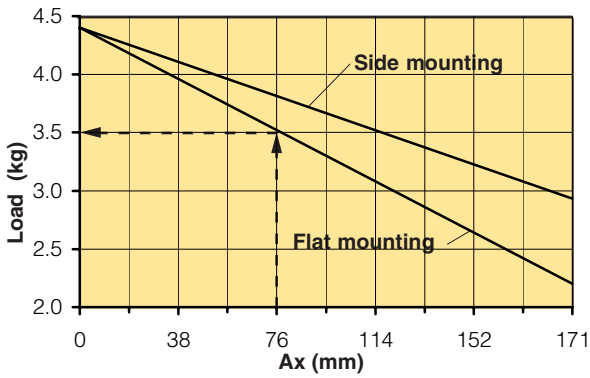
Permissible loads

Flat mounting

Side mounting



AX : distance between the position of the load and the guiding center (see dimensional constants p10)



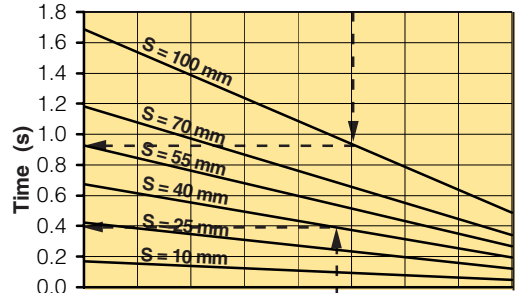
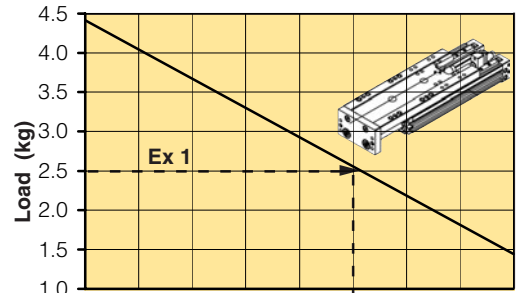
Ex : Flat mounting
If Ax = 76
Max load = 3,5 kg

Cycle time

Ex 1 : (horizontal)

Load : 2,5 kg
Stroke : 100 mm

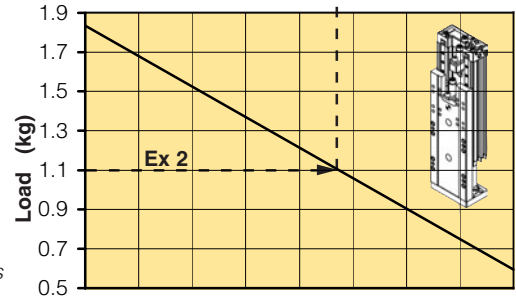
Time
extend + retract : 0,9 s



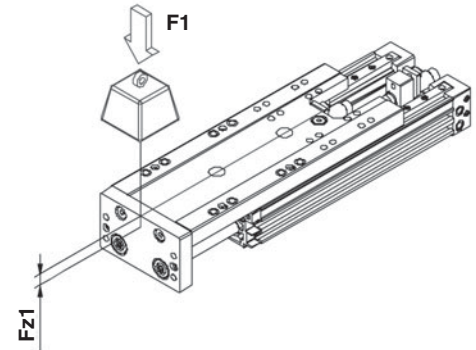
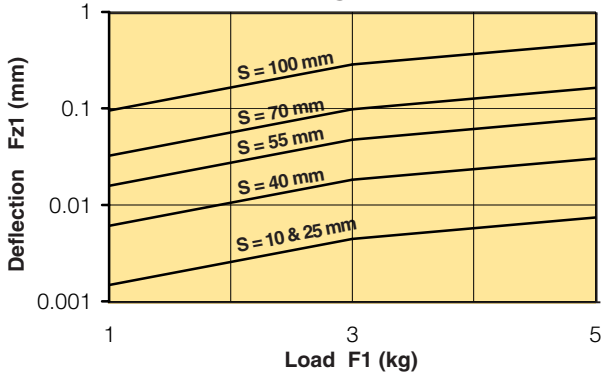
Ex 2 : (vertical)

Load : 1,1 kg
Stroke : 40 mm

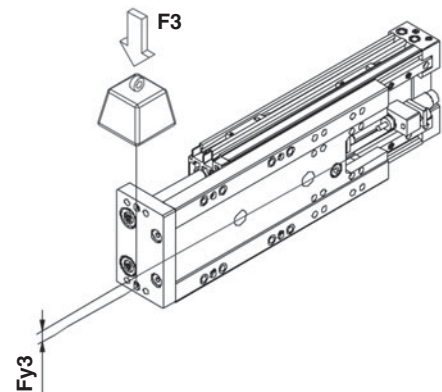
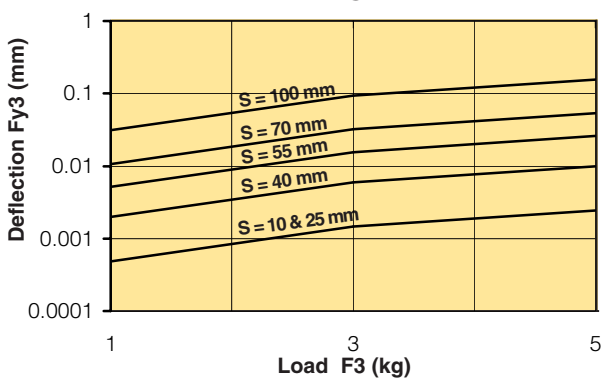
Time
extend + retract : 0,4 s



Deflection, flat mounting



Deflection, side mounting



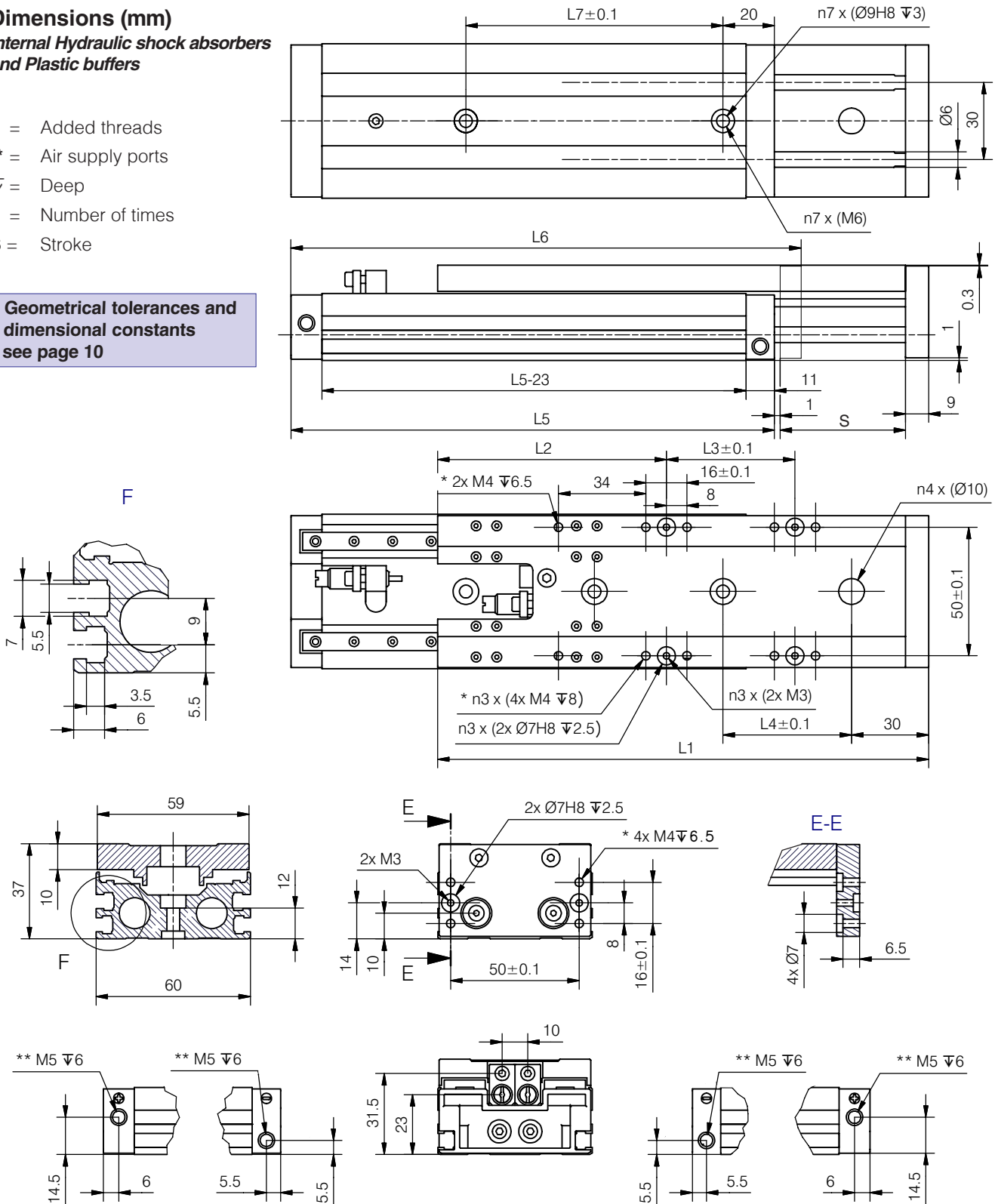
Size 12 Dimensions

Dimensions (mm)

Internal Hydraulic shock absorbers and Plastic buffers

- * = Added threads
- ** = Air supply ports
- ∇ = Deep
- n = Number of times
- S = Stroke

Geometrical tolerances and dimensional constants see page 10



Stroke	L1	L2	L3	n3	L4	n4	L5	L6	L7	n7
10 & 25	116	89	0	1	34	2	113	123	34	2
40	131	89	0	1	50	2	128	137	50	2
55	146	89	0	1	50	2	143	152	50	2
70	161	89	0	1	50 & 75	3	158	167	50 & 84	3
100	191	89	50	2	50 & 100	3	188	197	50 & 100	3

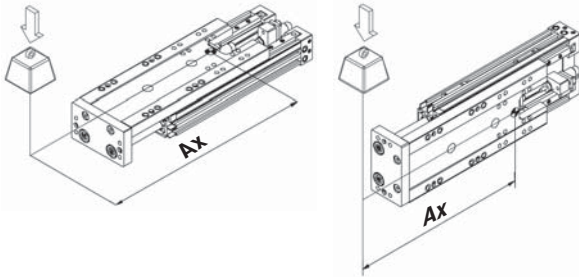


Size 16 Curves

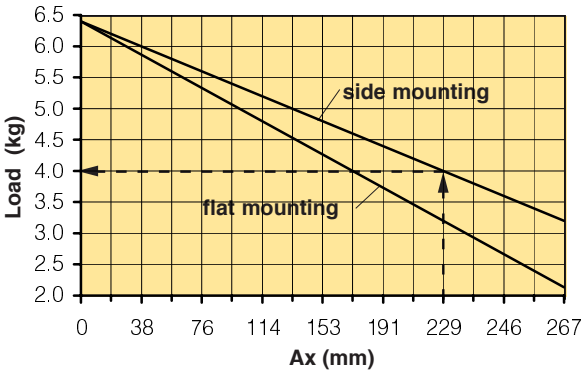
Permissible loads

Flat mounting

Side mounting



AX : distance between the position of the load and the guiding center (see dimensional constants p10)



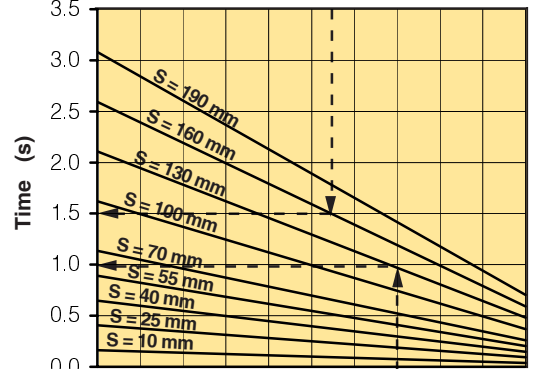
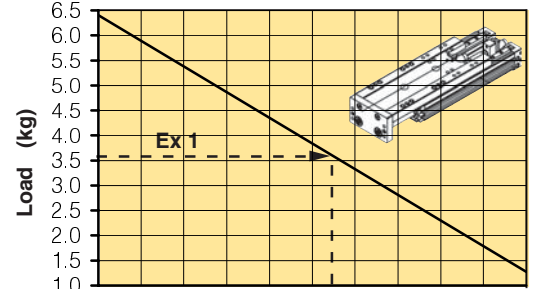
Ex : *Side mounting*
 If Ax = 229
 Max. load = 4 kg

Cycle time

Ex 1 : (horizontal)

Load : 3,6 kg
 Stroke : 160 mm

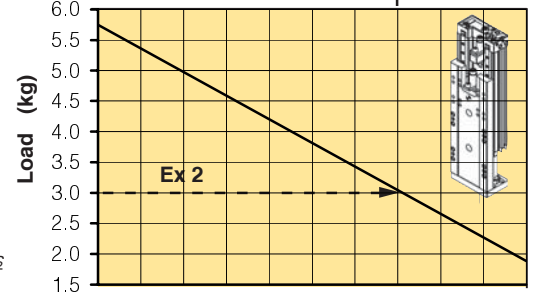
Time
 extend + retract : 1,5 s



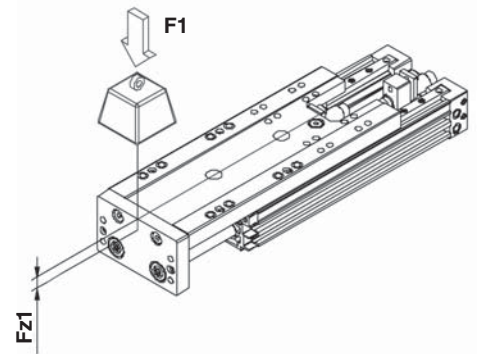
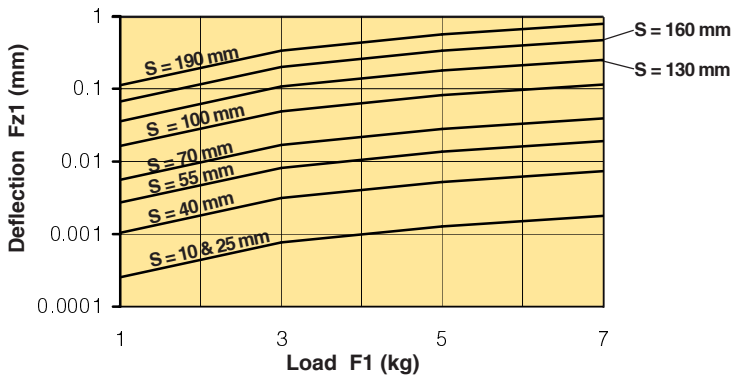
Ex 2 : (vertical)

Load: 3 kg
 Stroke : 130 mm

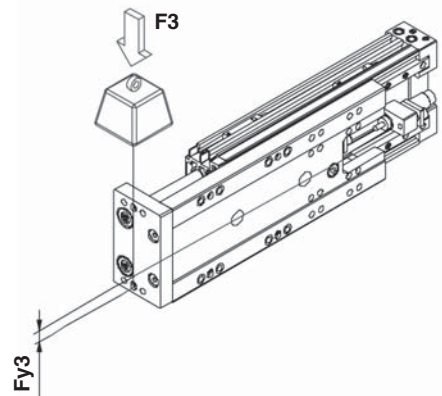
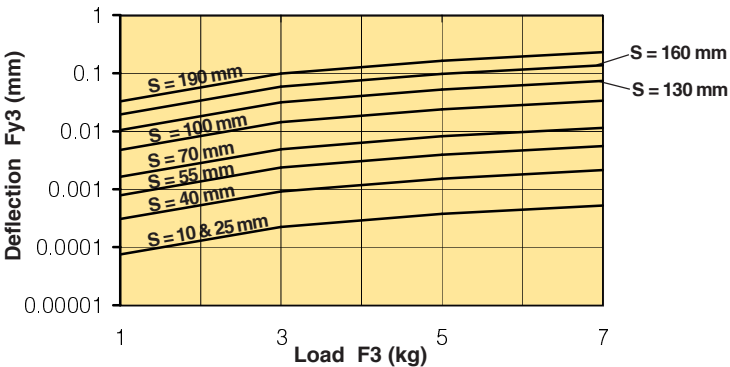
Time
 extend + retract : 1 s



Deflection, flat mounting



Deflection, side mounting



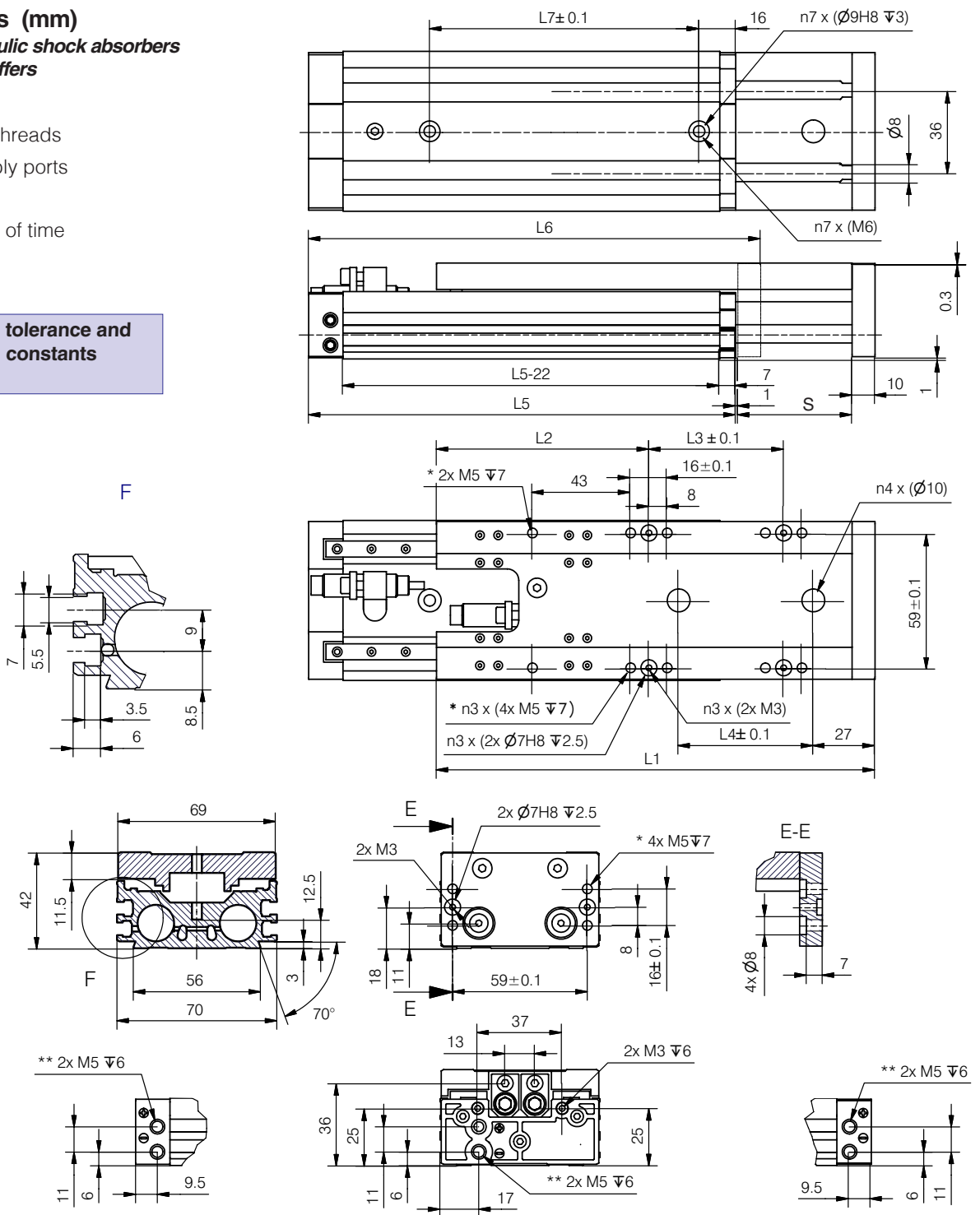
Size 16 Dimensions

Dimensions (mm)

Internal Hydraulic shock absorbers and Plastic buffers

- * = Added threads
- ** = Air supply ports
- ∇ = Deep
- n = Number of time
- S = Stroke

Geometrical tolerance and dimensional constants see page 10



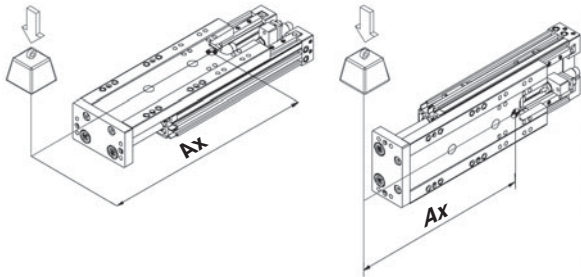
Stroke	L1	L2	L3	n3	L4	n4	L5	L6	L7	n7
10 & 25	117	93	0	1	36	2	112	123	36	2
40	132	93	0	1	36	2	127	138	36	2
55	147	93	0	1	59	2	142	153	59	2
70	162	93	0	1	59	2	157	168	59 & 89	3
100	192	93	59	2	59	2	187	198	59 & 118	3
130	237	108	59	2	59 & 118	3	232	243	59 & 118 & 148	4
160	267	108	59 & 118	3	59 & 118	3	262	273	59 & 118 & 177	4
190	297	108	59 & 118	3	59 & 118 & 177	4	292	303	59 & 118 & 177 & 207	5

Size 20 Curves

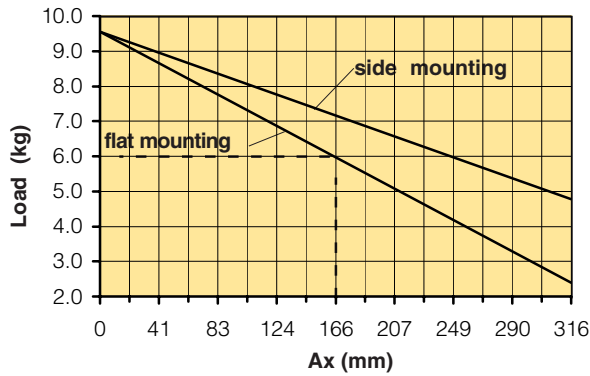
Permissible loads

Flat mounting

Side mounting



AX : distance between the position of the load and the guiding center (see dimensional constants p10)



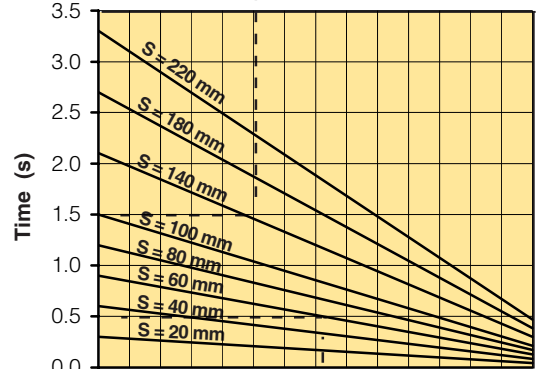
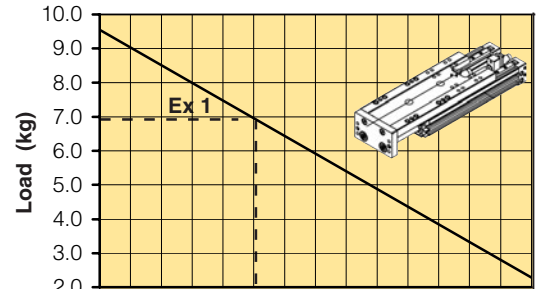
Ex : Flat mounting
If Ax = 166
Max. load = 6 kg

Cycle time

Ex 1 : (horizontal)

Load : 6,9 kg
Stroke : 140 mm

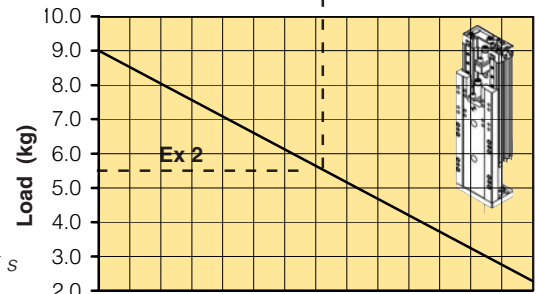
Time
extend + retract : 1,5 s



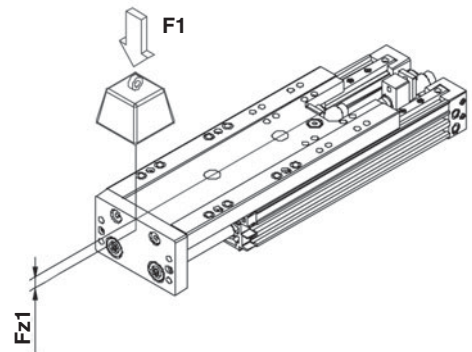
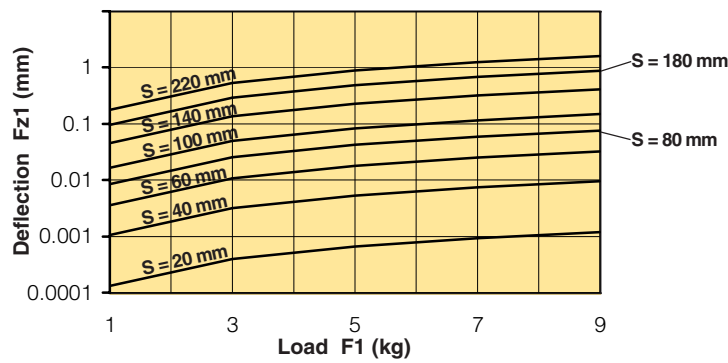
Ex 2 : (vertical)

Load : 5,5 kg
Stroke : 60 mm

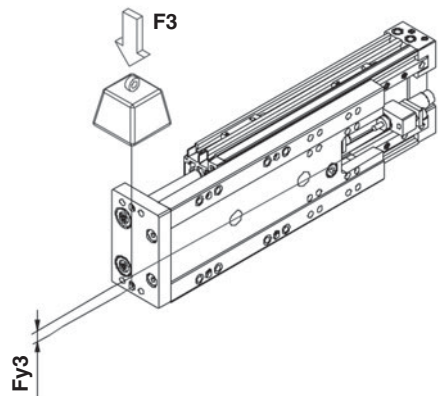
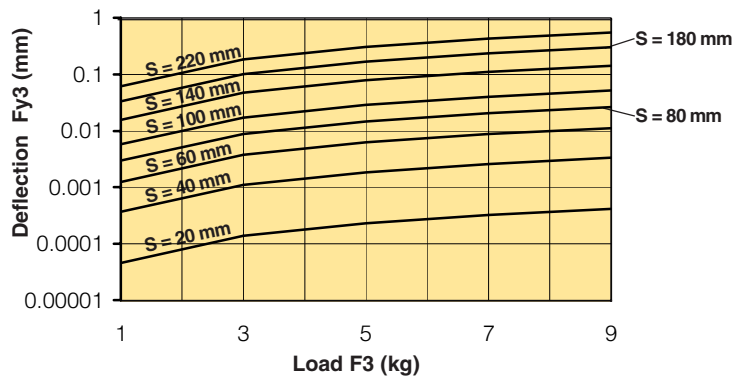
Time
extend+ retract : 0,5 s



Deflection, flat mounting



Deflection, side mounting



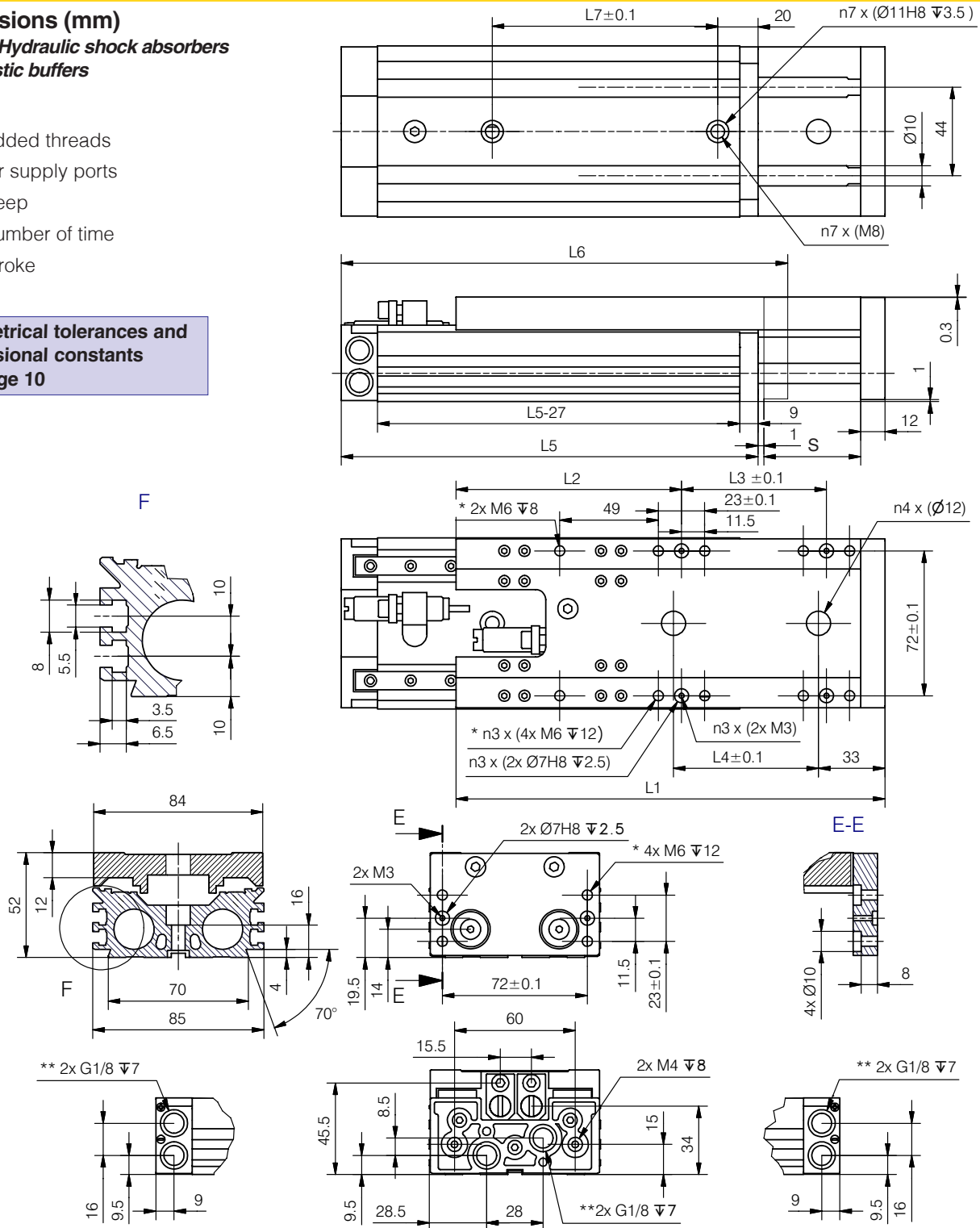
Size 20 Dimensions

Dimensions (mm)

Internal Hydraulic shock absorbers and Plastic buffers

- * = Added threads
- ** = Air supply ports
- ∇ = Deep
- n = Number of time
- S = Stroke

Geometrical tolerances and dimensional constants see page 10

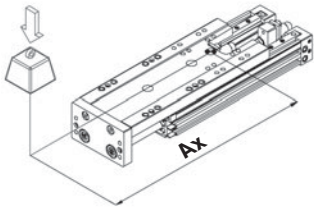


Stroke	L1	L2	L3	n3	L4	n4	L5	L6	L7	n7
20 & 40	153	112	0	1	44	2	147	160	44	2
60	173	112	0	1	72	2	167	180	72	2
80	193	112	0	1	72	2	187	200	72	2
100	213	112	72	2	72 & 112	3	207	220	72 & 112	2
140	273	132	72	2	72 & 144	3	267	280	72 & 144	3
180	313	132	72 & 144	3	72 & 144 & 192	4	307	320	72 & 144 & 192	3
220	353	132	72 & 144	3	72 & 144 & 216	4	347	360	72 & 144 & 216	4

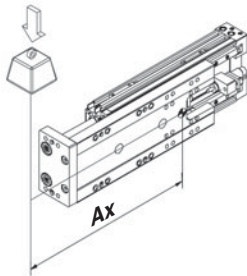
Size 25 Curves

Permissible loads

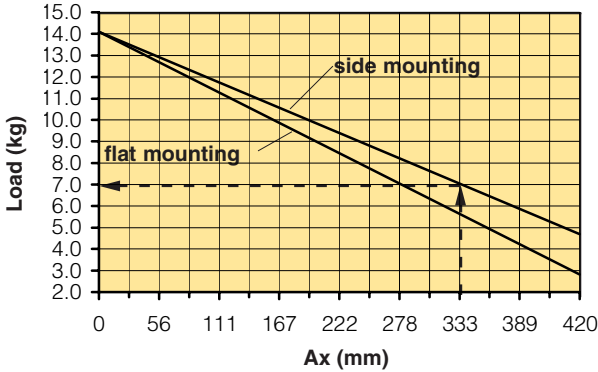
Flat mounting



Side mounting



AX : distance between the position of the load and the guiding center (see dimensional constants p10)



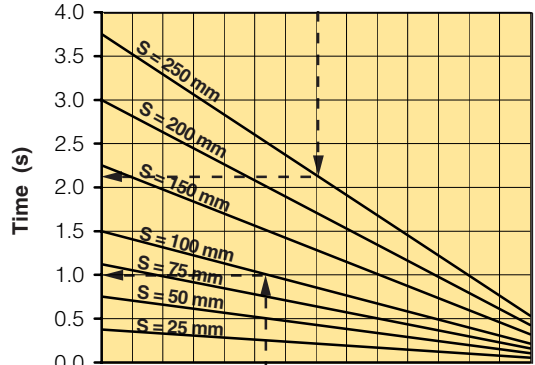
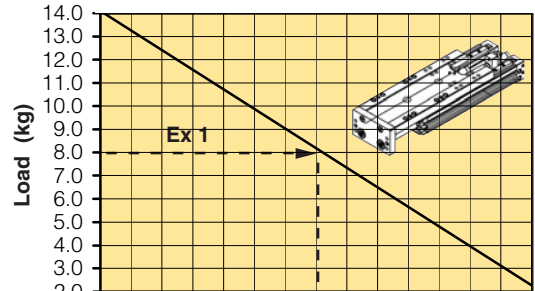
Ex : Side mounting
If Ax = 333
Max. load = 7 kg

Cycle time

Ex 1 : (horizontal)

Load : 8 kg
Stroke : 250 mm

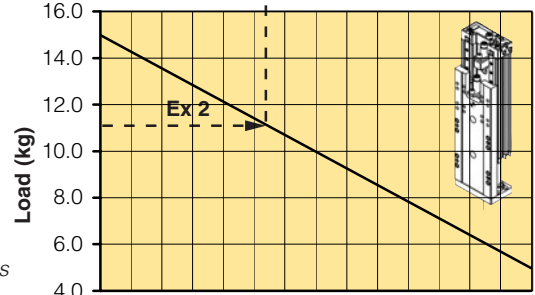
Time
extend + retract : 2,2 s



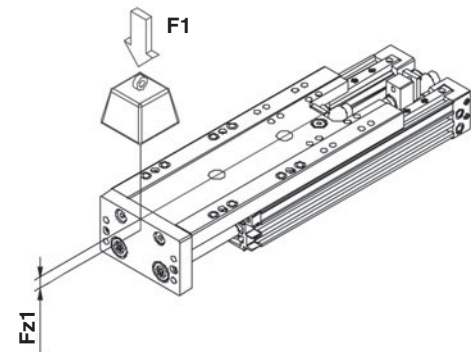
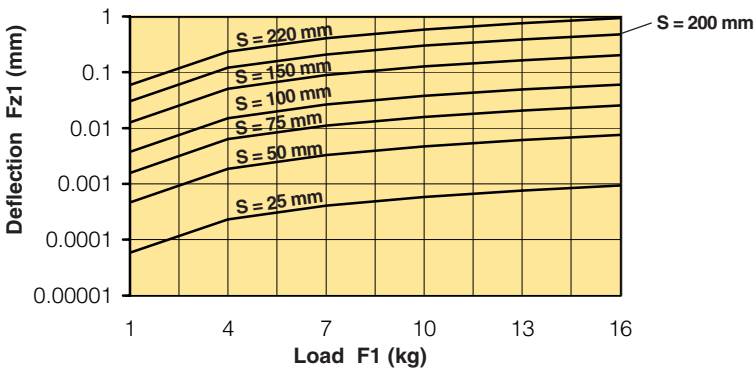
Ex 2 : (vertical)

Load : 11 kg
Stroke : 100 mm

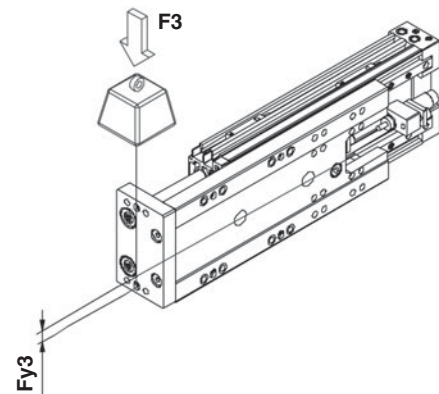
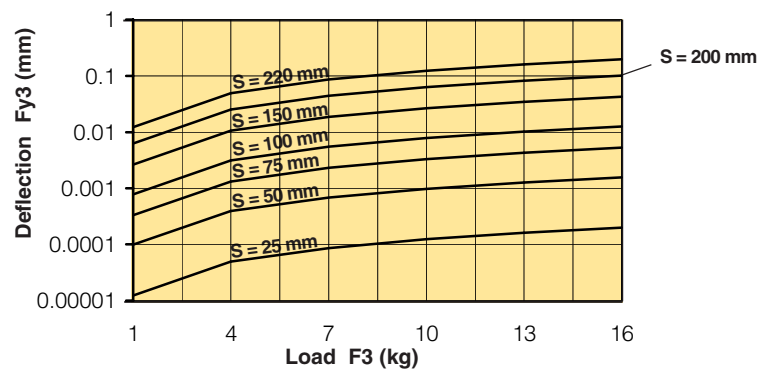
Time
extend + retract : 1 s



Deflection, flat mounting



Deflection, side mounting



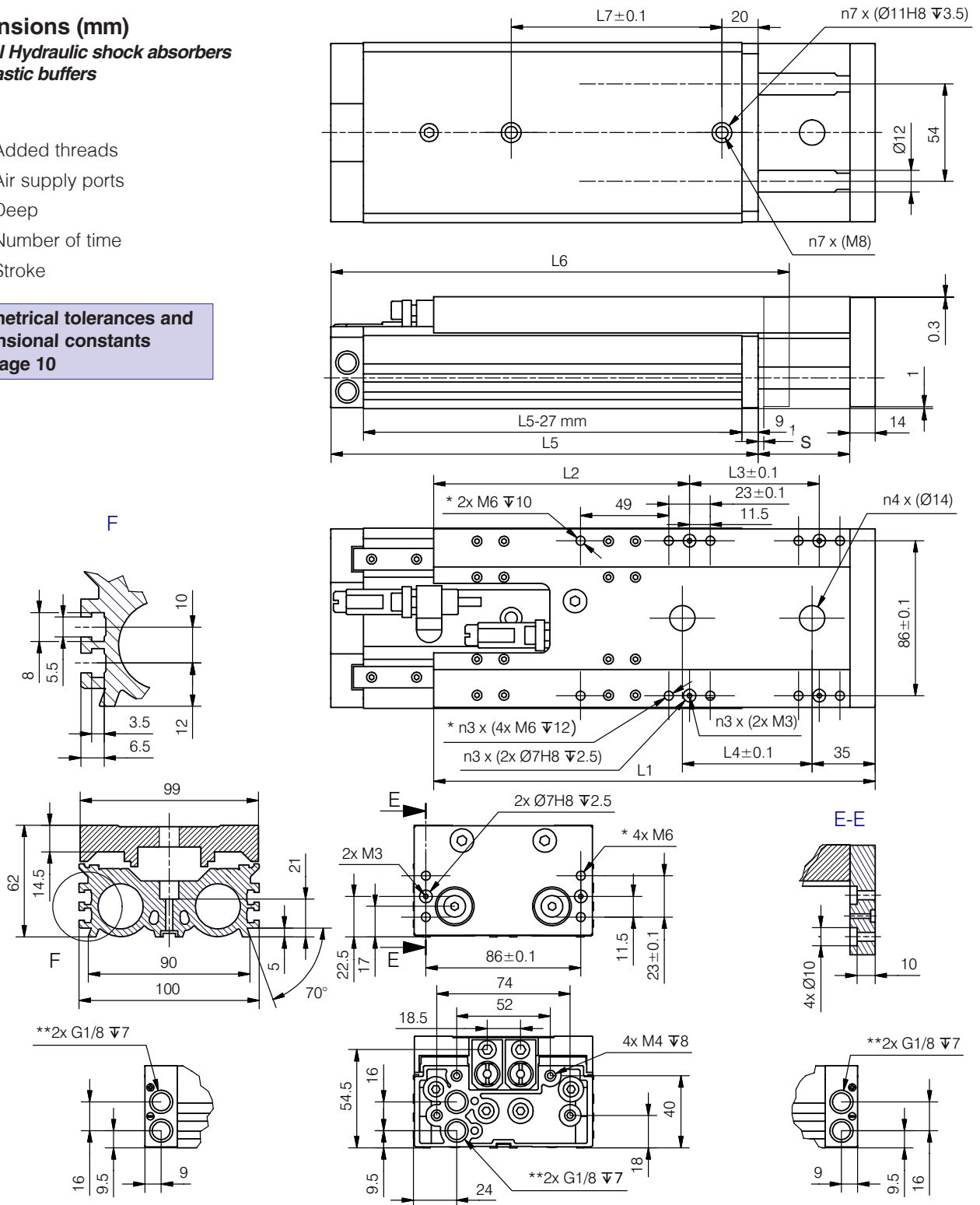
Size 25 Dimensions

Dimensions (mm)

Internal Hydraulic shock absorbers and Plastic buffers

- * = Added threads
- ** = Air supply ports
- ∇ = Deep
- n = Number of time
- S = Stroke

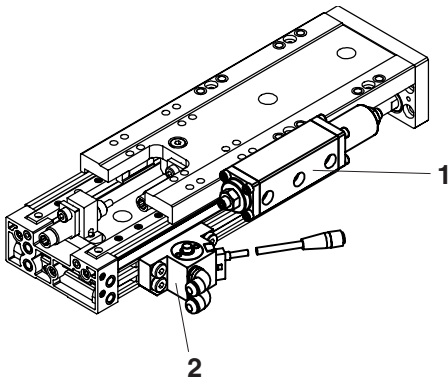
Geometrical tolerances and dimensional constants see page 10



Stroke	L1	L2	L3	n3	L4	n4	L5	L6	L7	n7
25 & 50	195	142	0	1	53	2	187	202	53	2
75	220	142	0	1	72	2	212	227	72	2
100	245	142	72	2	72 & 117	3	237	252	72 & 117	2
150	320	167	72	2	72 & 144	3	312	327	72 & 144	2
200	370	167	72 & 144	3	73 & 144 & 216	4	362	377	72 & 144 & 216	3
250	420	167	72 & 144	3	73 & 144 & 216 & 266	5	412	427	72 & 144 & 216 & 266	3

Option Mid Position Stop (MPS)

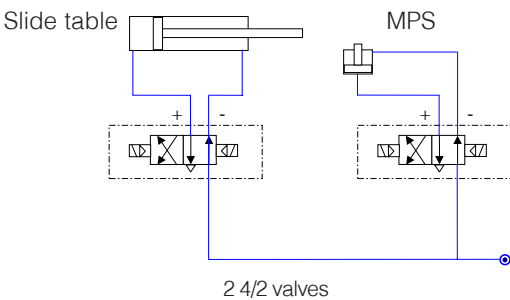
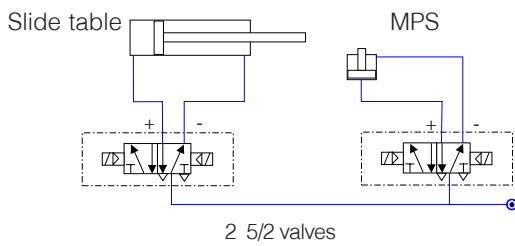
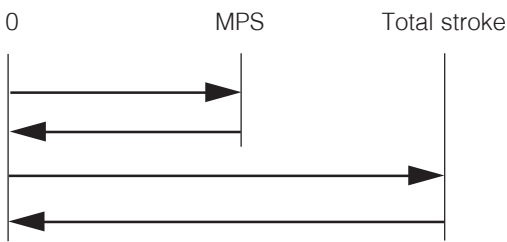
Technical information



- 1 double acting piston controls the extendable stop (Polyurethane pipe supply with push in connections)
- 1 hydraulic shock absorber provides fast vibration free deceleration in both directions.
- Optional : 1 magneto inductive sensor giving information on the status of the stop (extended or retracted)

Pneumatic diagrams

Cycle example



The Mid Position Stop (MPS) is for :

- an extra mechanical stop along the stroke of the "Precision Slide Table".
- stopping the "Precision Slide Table" in both directions at a same point (adjusting the same stop point with adjustment screw).
- the adjustment of the stop along the full stroke of the "Precision Slide Table"

Fine adjustment provides high degree of position accuracy.

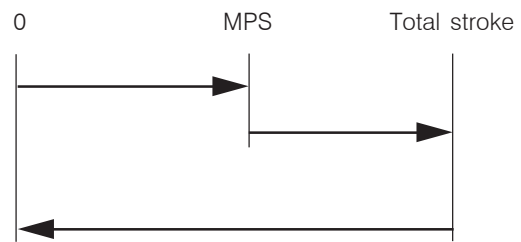
The MPS can be mounted either left or right handed.

The MPS provides carriage stop position with 0,03 mm repeatability.

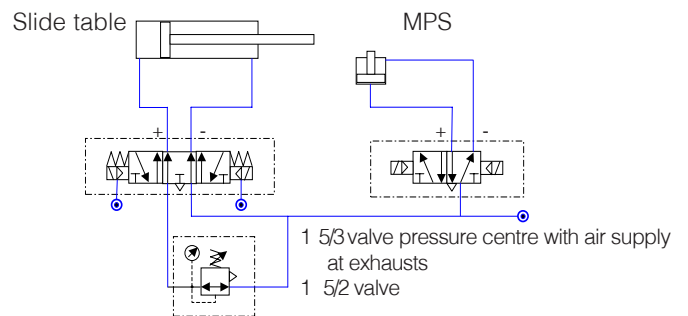
The MPS is made up of two parts :

- the top part built-in the mobile carriage (1).
- the bottom part fixed and adjustable on the "Precision SLide Table" body (2).

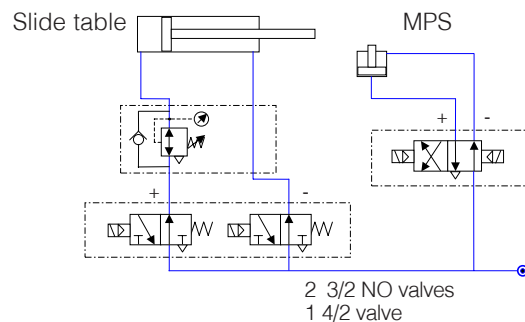
Cycle example



With standard range



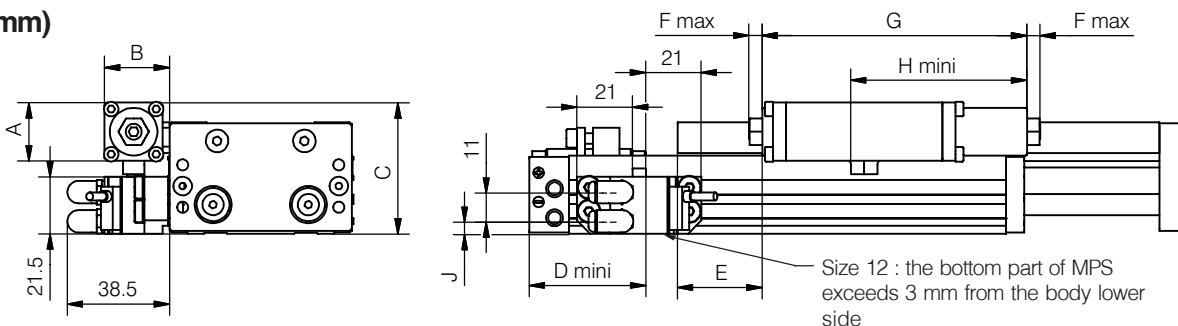
With Moduflex range



! To avoid pressure surges, it is essential to supply the two chambers with pressure before releasing the variable mid-position stop

Option Variable Mid Position Stop (MPS)

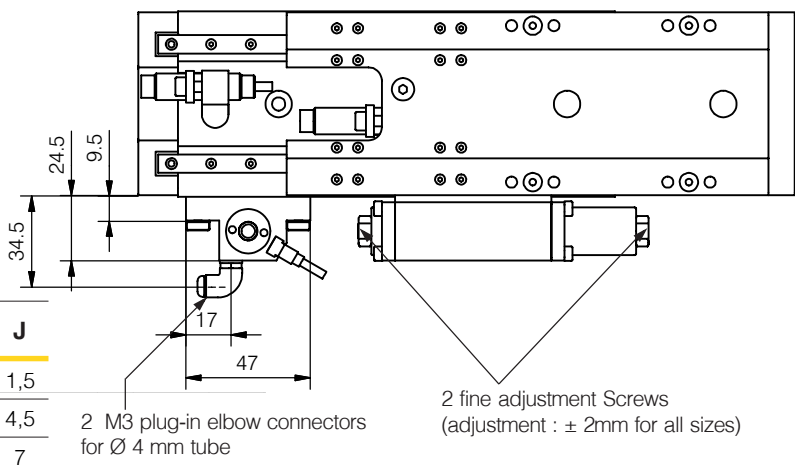
Dimensions (mm)



End of stroke sensors can be only fitted on the opposite side of the MPS

Size	D* and E*
16	Course 130 à 190 ajouter 15 mm
20	Course 140 à 220 ajouter 20 mm
25	Course 150 à 250 ajouter 30 mm

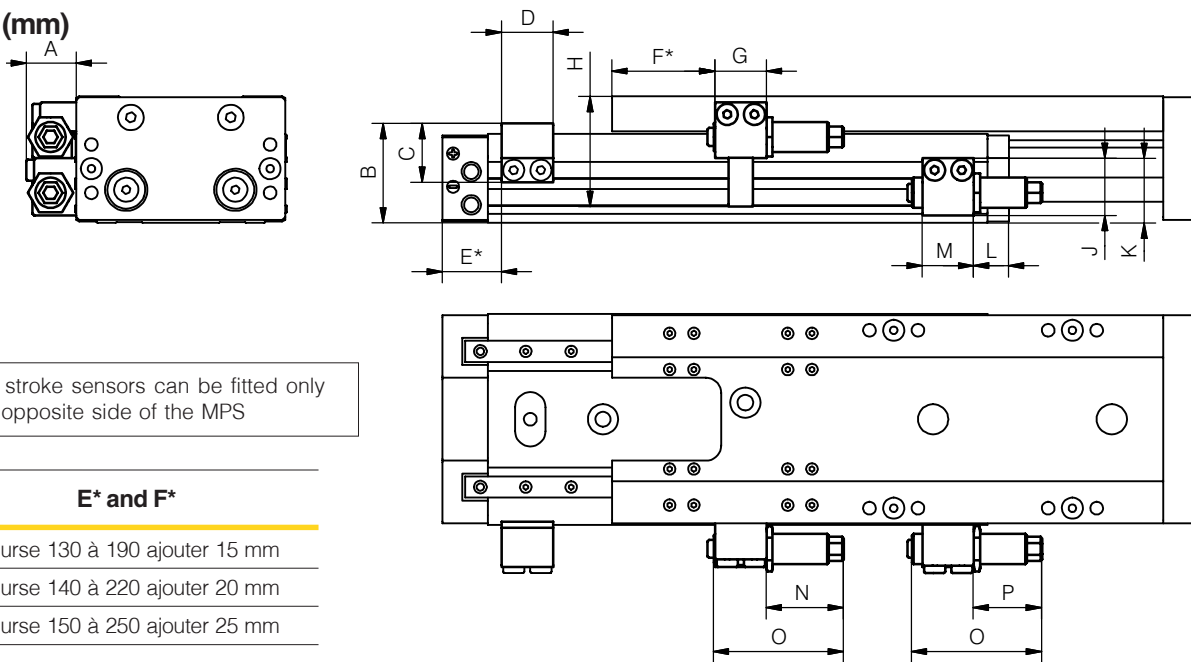
Size	A	B	C	D* mini	E* F max	G H mini	J
12	22	24,5	46,5	47	0 9	83 51	1,5
16	22	24,5	49,5	44	0 9	90 57	4,5
20	26	27,5	55	54,5	8,5 9	109 66	7
25	31	30,5	62	50,5	3,5 9	123 93	9



MPS is adjustable along the entire stroke of slide table

Option External Hydraulic Shock Absorbers or Plastic Buffers

Dimensions (mm)



End of stroke sensors can be fitted only on the opposite side of the MPS

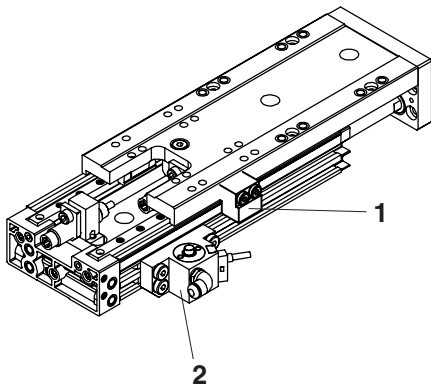
Size	E* and F*
16	Course 130 à 190 ajouter 15 mm
20	Course 140 à 220 ajouter 20 mm
25	Course 150 à 250 ajouter 25 mm

Size	A	B	C	D	E*	F*	G	H	J	K	L	M	N	O	P	
													1 2	1 2	1 2	
12	14,5	28,5	18	17	13,5	31	13	33,5	18	18,5	12,5	17	9	16,5	28,5 36	5 12,5
16	16,5	32	19,5	17	20,5	33,5	17	36,5	19	21,5	12,5	17	25	25	43 43	21,5 22
20	17	42,5	27,5	21	25	41,5	21	48,5	23	25	16	21	30	28,5	52 52	25 26,5
25	22	51	34	21	38,5	57,5	21	57,5	24	27	29,5	21	44	44	69 69	44 44

1 = Hydraulic shock absorber
2 = Plastic buffer

Option End of stroke lock

Technical information



- 1 double acting piston controls the extendable stop (polyurethane pipe supply with push-in connections)
- Optional 1 magneto-inductive sensor which provides information on the status of the stop (extended or retracted)

The end of stroke lock provides :

- a mechanical stop of the "Precision Slide Table" in the event air supply being cut off, mainly used in vertical position.
- the adjustment of the lock position along the total stroke of the "Precision Slide Table"

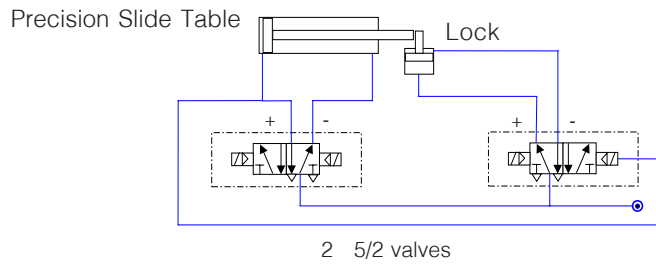
The lock can be mounted either right or left or on each side of the "Precision Slide Table"

The lock is made up of two parts :

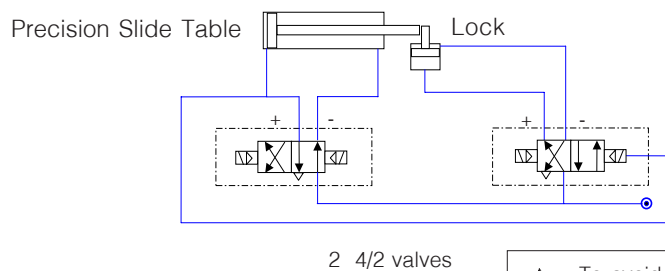
- the top stop built-in the mobile carriage (1).
- the bottom part fixed and adjustable on the "Precision Slide Table" body (2).

Pneumatic diagrams of the Precision Slide Table locking

With standard range



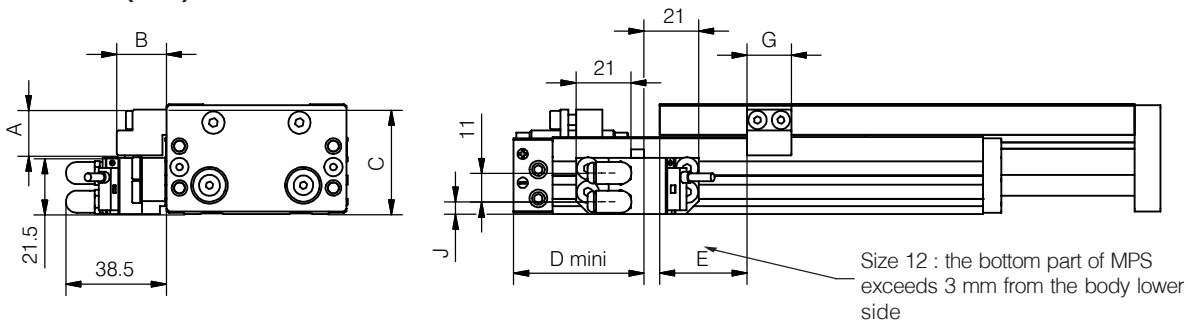
With Moduflex range



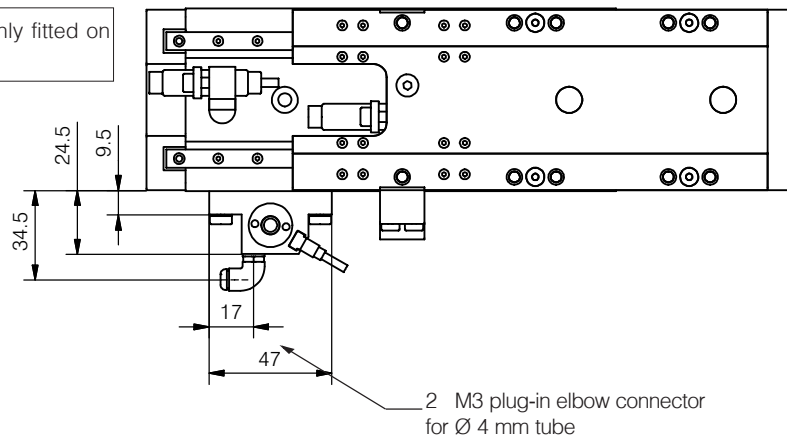
! To avoid pressure surges, it is essential to supply the two chambers with pressure before releasing the lock stop

Option End of stroke Lock

Dimensions (mm)



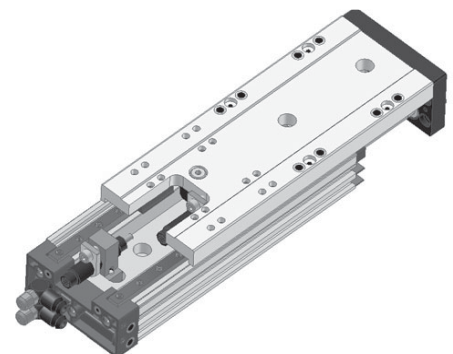
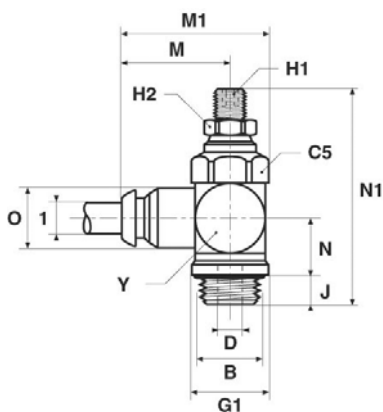
End of stroke sensors can be only fitted on the opposite side of the MPS



Size	A	B	C	D* mini	E*	G	J
12	15,5	19	35	46	31	13	1,5
16	17,5	19	40	50	34	17	4,5
20	25	19	50	60,5	41,5	21	7
25	33	19	60	76,5	57,5	21	9

Size	D* and E*
16	Course 130 à 190 ajouter 15 mm
20	Course 140 à 220 ajouter 20 mm
25	Course 150 à 250 ajouter 25 mm

Option Flow Controllers



Size	Ø1	ØB	C5	ØD	ØG1	H1	H2	J	M	M1	N	N1	ØO	Y	Part Number
12 & 16	4	M5X0,8	8	1,65	10	1,5	8	4	19,5	24,5	6,5	28,5	10	10	PTFL8PB4M5
20 & 25	6	1/8G	14	3,2	14,5	2	7	6	23,5	31,5	10,5	43,5	12	14	PTFL8PB6-1/8

Standard Precision Slide Table (15 digits)

P
5
S
P
M
0

1
6
C

D
N

1
0
0

B

Size	
12	2 X Ø 12 mm
16	2 X Ø 16 mm
20	2 X Ø 20 mm
25	2 X Ø 25 mm

Guiding	
C	4 bearings Rear
D	2 bearings * Rear

* Only for short strokes and preferably in vertical position.

Strokes	
055	55 mm
100	100 mm

See chart below

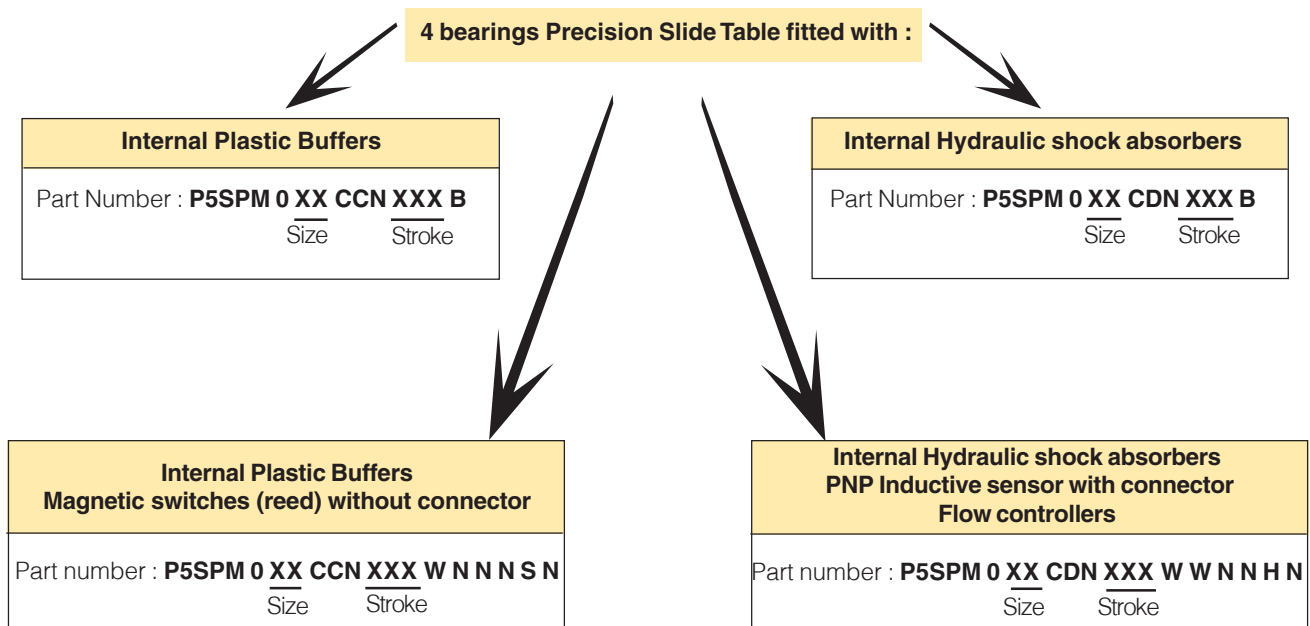
Options	
B	None
W	With options

Adjustable stop	
<i>Internal in standard</i>	
C	Plastic buffers
D	Shock absorbers
<i>External in option</i>	
F	External only with W option

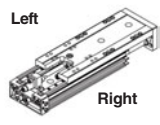

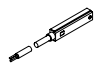

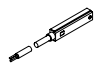

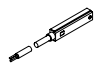
Size	Standard strokes									
12	10	25	40	55	70	100				
16	10	25	40	55	70	100	130	160	190	
20	20	40	60	80	100	140	180	220		
25	25	50	75	100	150	200	250			

For any other stroke, choose the standard stroke immediately above

Standard part numbers



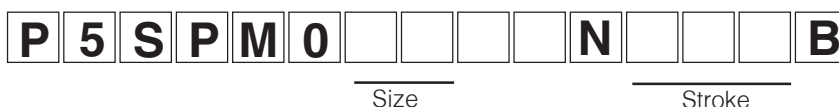
Precision Slide Table with Options (20 digits)

<p style="text-align: center;">N</p> <table border="1" style="width: 100%; border-collapse: collapse;"> <tr> <th colspan="2" style="background-color: #fff9c4;">Speed controllers</th> </tr> <tr> <td style="text-align: center;">N</td> <td>None</td> </tr> <tr> <td style="text-align: center;">W</td> <td>With</td> </tr> </table>	Speed controllers		N	None	W	With		<p style="text-align: center;">N</p> <table border="1" style="width: 100%; border-collapse: collapse;"> <tr> <th colspan="2" style="background-color: #fff9c4;">Position of Options</th> </tr> <tr> <td style="text-align: center;">N</td> <td>None</td> </tr> <tr> <td style="text-align: center;">R</td> <td>Right mounting</td> </tr> <tr> <td style="text-align: center;">L</td> <td>Left mounting</td> </tr> <tr> <td style="text-align: center;">B</td> <td>Mounting on both side (except external stops)</td> </tr> </table> <div style="text-align: right; margin-top: 5px;">  </div>	Position of Options		N	None	R	Right mounting	L	Left mounting	B	Mounting on both side (except external stops)	<p style="text-align: center;">N</p> <table border="1" style="width: 100%; border-collapse: collapse;"> <tr> <th colspan="2" style="background-color: #fff9c4;">Extra sensor</th> </tr> <tr> <td style="text-align: center;">N</td> <td>None</td> </tr> <tr> <td style="text-align: center;">1</td> <td>Extra sensor on the stroke (except MPS)</td> </tr> <tr> <td style="text-align: center;">2*</td> <td>Extra sensor for MPS or Lock use</td> </tr> </table> <p style="font-size: small;">These sensors will have the same electrical features as the end of stroke sensors.</p> <p>* The MPS (Variable Mid-Position Stop) will be fitted with :</p> <ul style="list-style-type: none"> - 1 sensor controlling the extendable stop position (cable at 90°) - 1 intermediate end of stroke sensor of "Precision Slide Table" <p>The lock will be fitted with :</p> <ul style="list-style-type: none"> - 1 sensor controlling the extendable stop position (cable at 90°) 	Extra sensor		N	None	1	Extra sensor on the stroke (except MPS)	2*	Extra sensor for MPS or Lock use
Speed controllers																											
N	None																										
W	With																										
Position of Options																											
N	None																										
R	Right mounting																										
L	Left mounting																										
B	Mounting on both side (except external stops)																										
Extra sensor																											
N	None																										
1	Extra sensor on the stroke (except MPS)																										
2*	Extra sensor for MPS or Lock use																										
<table border="1" style="width: 100%; border-collapse: collapse;"> <tr> <th colspan="2" style="background-color: #fff9c4;">Options</th> </tr> <tr> <td style="text-align: center;">N</td> <td>None</td> </tr> <tr> <td style="text-align: center;">B</td> <td>MPS without sensor</td> </tr> <tr> <td style="text-align: center;">G</td> <td>Lock without sensor</td> </tr> <tr> <td style="text-align: center;">C</td> <td>external Plastic buffers</td> </tr> <tr> <td style="text-align: center;">D</td> <td>external Hydraulic shock absorbers</td> </tr> </table> <p style="font-size: x-small;">Combined Blank plate and Options upon request</p>	Options		N	None	B	MPS without sensor	G	Lock without sensor	C	external Plastic buffers	D	external Hydraulic shock absorbers															
Options																											
N	None																										
B	MPS without sensor																										
G	Lock without sensor																										
C	external Plastic buffers																										
D	external Hydraulic shock absorbers																										
		<table border="1" style="width: 100%; border-collapse: collapse;"> <tr> <th colspan="3" style="background-color: #fff9c4;">End of stroke detection</th> </tr> <tr> <th style="text-align: center;">Reed</th> <th style="text-align: center;">PNP</th> <th style="text-align: center;">Sensors type (Qty : 2)</th> </tr> <tr> <td></td> <td></td> <td>In line cable</td> </tr> <tr> <td style="text-align: center;">N</td> <td style="text-align: center;">N</td> <td>None</td> </tr> <tr> <td style="text-align: center;">L</td> <td style="text-align: center;">H</td> <td>0,3 m with connector </td> </tr> <tr> <td style="text-align: center;">S</td> <td style="text-align: center;">M</td> <td>3 m without connector </td> </tr> </table> <p>For mounting other types of sensor :</p> <ul style="list-style-type: none"> - Cable at 90° with connector - Cable in line length 10 m - NPN inductive <p>Order separately :</p> <ul style="list-style-type: none"> - Precision Slide Table without sensor - Sensors (see chart page 26) 	End of stroke detection			Reed	PNP	Sensors type (Qty : 2)			In line cable	N	N	None	L	H	0,3 m with connector 	S	M	3 m without connector 							
End of stroke detection																											
Reed	PNP	Sensors type (Qty : 2)																									
		In line cable																									
N	N	None																									
L	H	0,3 m with connector 																									
S	M	3 m without connector 																									

Set up your usual part numbers

In order to avoid you recoding the part number of Precision Slide Table at each use, the following chart will help you to load your part numbers the most used.

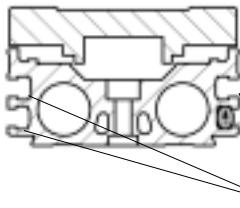
Basic products



Product with options

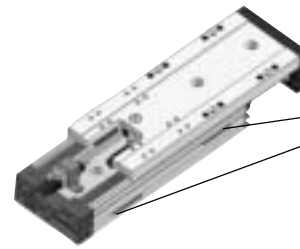


Mounting



Side mounting sensors adjustable in T-Slots

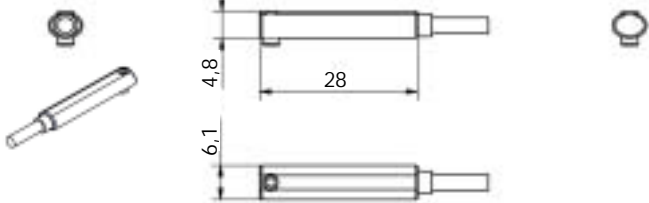
2 sensors slots on both side



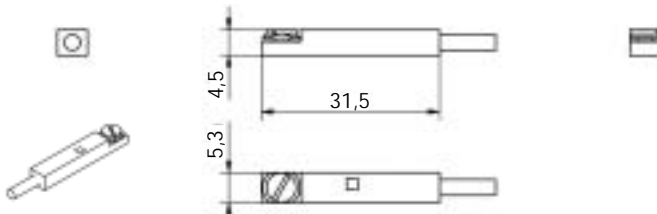
Switch or Sensor

Dimensions (mm)

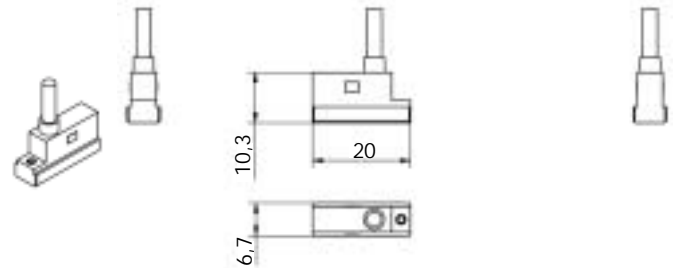
Switch with in-line cable



Connector with in-line cable



Switch or Sensor with cable at 90°



Note : better use with MPS or Lock option

Technical data

Magnetic switches (Reed)

Contact function	Cable length (m)	Connection	Type	Max courant (mA)	Voltage (VCA/CC)	Mass (kg)	Protection number	Operating temperature (°C)	Part number
NO	0,3	90° with connector		100	10-120	0,005	IP 67	-25 to +75	P8S-SRTHX
NO	0,3	Straight with connector		100	10-120	0,005	IP 67	-25 to +75	P8S-GSSHX
NO	3,0	90° without connector		100	10-120	0,030	IP 67	-25 to +75	P8S-SRELX
NO	3,0	Straight without connector		100	10-120	0,030	IP 67	-25 to +75	P8S-GSFLX

Magneto Inductive Sensors (PNP-NPN)

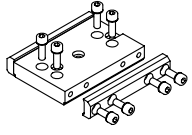
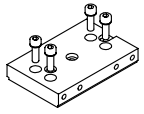
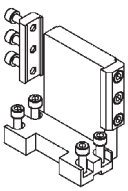
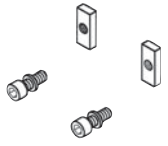
1 or 10 m cable upon request

Contact function	Cable length (m)	Connection	Type	Max courant (mA)	Voltage (CC)	Mass (kg)	Protection number	Operating temperature (°C)	Part number
PNP, NO	0,3	90° with connector		150	10-30	0,005	IP 67	-25 to +75	P8S-SPTHXD
PNP, NO	0,3	Straight with connector		150	10-30	0,005	IP 67	-25 to +75	P8S-GPSHX
PNP, NO	3,0	90° without connector		150	10-30	0,030	IP 67	-25 to +75	P8S-SPELXD
PNP, NO	3,0	Straight without connector		150	10-30	0,030	IP 67	-25 to +75	P8S-GPFLX
NPN, NO	0,3	90° with connector		150	10-30	0,005	IP 67	-25 to +75	P8S-SNTHX
NPN, NO	0,3	Straight with connector		150	10-30	0,005	IP 67	-25 to +75	P8S-GNSHX
NPN, NO	3,0	Straight without connector		150	10-30	0,030	IP 67	-25 to +75	P8S-GNFLX

1 or 10 m cable upon request

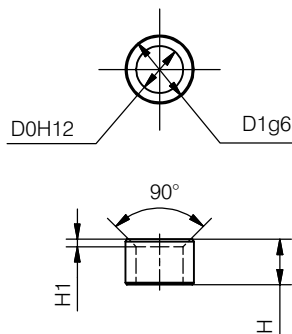
Mounting kits

General Features

Type		Material
Dovetail plate		Black anodised aluminium
Mounting plate		Black anodised aluminium
Dovetail brackets		Black anodised aluminium
Screws, nuts and pins		White galvanised steel

Mounting kits are supplied with screws, washers, nuts, pins and centring sleeves

Centring sleeves




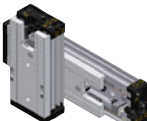





ØD1	ØD0	H1	H	Part number
7	5,2	0,6	5	9534507AS*
9	6,2	1	6	9534509AS
11	8,2	1	7	9534511AS

* Kit including 2 sleeves + 2 FHC screws

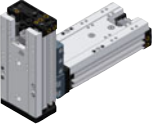
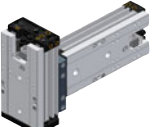




Mounting kits

Mounting arrangements

	"CARRYING UNIT"	"Carried unit"							
		with flanges				without flanges			
		S12	S16	S20	S25	S12	S16	S20	S25
 <p>Flat mounting</p>		P5K-SDD187 page 31	P5K-SFD189 page 31	P5K-SHD191 page 31	P5K-SJD193 page 31	Direct			
 <p>On side</p>		P5K-SDD173 page 33		P5K-SHD186 page 33		P5K-SDD201 page 32		P5K-SHD202 page 32	
 <p>As lift unit</p>		P5K-SDH178 page 34	P5K-SFH179 page 34	P5K-SHH180 page 34	P5K-SJH181 page 34				
<p>On Slide Table config. 1</p> <p><i>Direct mounting without interface</i></p> 	S12					Direct Stroke carrying slide > 25			
	S16						Direct Stroke carrying slide > 40		
	S20							Direct Stroke carrying slide > 40	
	S25								
<p><i>Mounting with interface</i></p> 	S12	P5K-SDD187 page 31				P5K-SDB208 page 31			
	S16	P5K-SDD188 page 31	P5K-SFD189 page 31			P5K-SDB209 page 31	P5K-SFB210 page 31		
	S20		P5K-SFD190 page 31	P5K-SHD191 page 31			P5K-SFB211 page 31	P5K-SHB212 page 31	
	S25			P5K-SHD192 page 31	P5K-SJD193 page 31			P5K-SHB213 page 31	P5K-SJB214 page 31
<p>On Slide Table config. 2</p> 	S12	P5K-SDD194 page 35				P5K-SDB215 page 35			
	S16	P5K-SDD195 page 35	P5K-SFD196 page 35			P5K-SDB216 page 35	P5K-SFB217 page 35		
	S20		P5K-SFD197 page 35	P5K-SHD198 page 35			P5K-SFB218 page 35	P5K-SHB219 page 35	
	S25			P5K-SHD199 page 35	P5K-SJD200 page 35			P5K-SHB220 page 35	P5K-SJB221 page 35
<p>On Slide Table config. 3</p> 	S12					P5K-SDB174 page 36			
	S16					P5K-SFB175 page 36	P5K-SFB175 page 36		
	S20					P5K-SHB176 page 36	P5K-SHB176 page 36	P5K-SHB176 page 36	
	S25					P5K-SJB177 page 36	P5K-SJB177 page 36	P5K-SJB177 page 36	P5K-SJB177 page 36

Mounting kits

Mounting arrangements

		"Carried unit"							
		with flanges			without flanges				
"CARRYING UNIT"		S12	S16	S20	S25	S12	S16	S20	S25
At the end config. 1 	S12	P5K-SDD194 page 35				P5K-SDB215 page 35			
	S16	P5K-SDD195 page 35	P5K-SFD196 page 35			P5K-SDB216 page 35	P5K-SFB217 page 35		
	S20		P5K-SFD197 page 35	P5K-SHD198 page 35			P5K-SFB218 page 35	P5K-SHB219 page 35	
	S25			P5K-SHD199 page 35	P5K-SJD200 page 35			P5K-SHB220 page 35	P5K-SJB221 page 35
At the end config. 2 	S12	P5K-SDD187 page 31				P5K-SDB208 page 31			
	S16	P5K-SDD188 page 31	P5K-SFD189 page 31			P5K-SDB209 page 31	P5K-SFB210 page 31		
	S20		P5K-SFD190 page 31	P5K-SHD191 page 31			P5K-SFB211 page 31	P5K-SHB212 page 31	
	S25			P5K-SHD192 page 31	P5K-SJD193 page 31			P5K-SHB213 page 31	P5K-SJB214 page 31
At the end config. 3 	S12					P5K-SDB174 page 36			
	S16					P5K-SFB175 page 36	P5K-SFB175 page 36		
	S20					P5K-SHB176 page 36	P5K-SHB176 page 36	P5K-SHB176 page 36	
	S25					P5K-SJB177 page 36	P5K-SJB177 page 36	P5K-SJB177 page 36	P5K-SJB177 page 36
On Linear Unit 	S1								
	S2	P5K-SDD182 page 37	P5K-SFD183 page 37	P5K-SHD184 page 37	P5K-SJD185 page 37	P5K-SDB204 page 37	P5K-SFB205 page 37	P5K-SHB206 page 37	P5K-SJB207 page 37
	S3								
On Carrier 	S1	P5K-SDE233 page 38	P5K-SDE300 page 38	P5K-SFE301 page 38		P5K-SDC237 page 38	P5K-SDC302 page 38	P5K-SFC303 page 38	P5K-SJC305 page 38
	S2		P5K-SFE234 page 38	P5K-SHE230 page 38	P5K-SJE304 page 38		P5K-SFC238 page 38	P5K-SHC231 page 38	P5K-SJC306 page 38
	S3			P5K-SHE235 page 38	P5K-SJE236 page 38			P5K-SHC239 page 38	P5K-SJC240 page 38
On Wrist Rotates Unit 	S16								
	S18								
	S22								

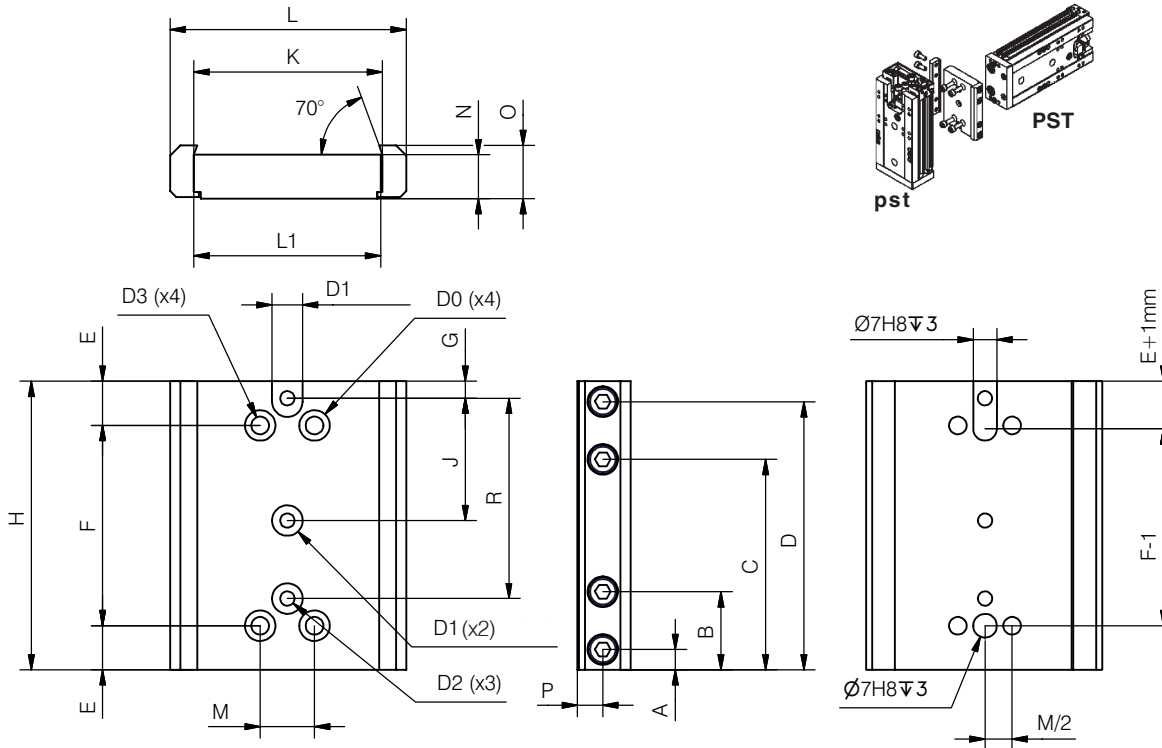
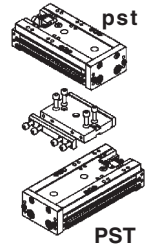
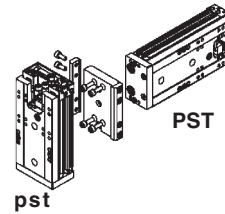
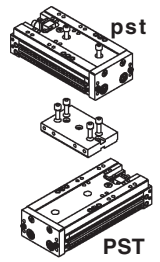
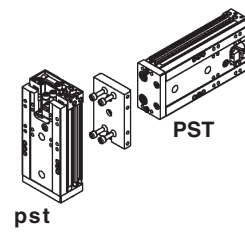
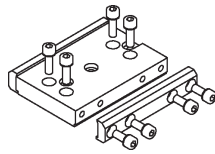
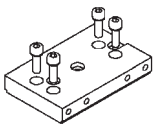
Consult factory

Consult factory

Mounting kits

Flat mounting on machine surface/ At the end (config. 2) / On Precision Slide Table (config. 1)

Without flange With dovetail flanges



Size pst	Size PST	A	B	C	D	ØD0	ØD1 H8	ØD2	ØD3	E	F	G	H	J	K	L	L1	M	N
12	12	6,5	26,5	58,5	78,5	8 depth 6	9 depth 3	M5	4	17,5	50	7	85	34	40	53,5	39	16	13
12	16	6,5	26,5	58,5	78,5	9 depth 7	9 depth 3	M5	5	13	59	7	85	34	40	53,5	39	16	13
16	16	6	23	62	79	9 depth 7	9 depth 3	M5	5	13	59	5	85	36	56	69,5	55	16	13
16	20	6	23	62	79	11 depth 8	9 depth 3	M5	6	6,5	72	7	85	36	56	69,5	55	23	13
20	20	8	29	71	92	11 depth 9	11 depth 3,5	M6	6	14	72	6	100	44	70	83,5	69	23	14
20	25	8	29	71	92	11 depth 9	11 depth 3,5	M6	6	7	86	11	100	44	70	83,5	69	23	14
25	25	8	29	71	92	11 depth 9	11 depth 3,5	M6	6	7	86	11	100	53	90	103,5	89	23	14

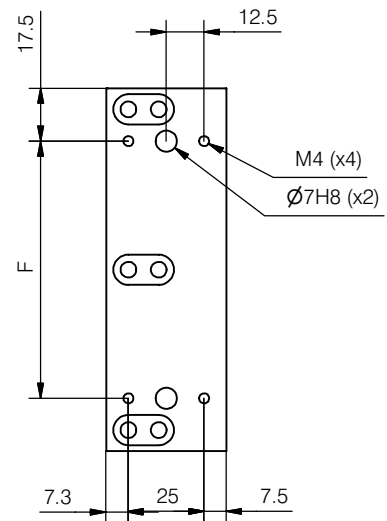
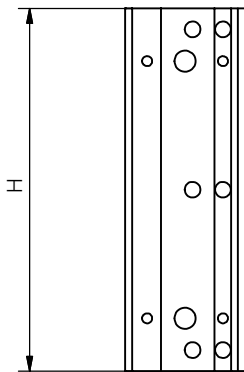
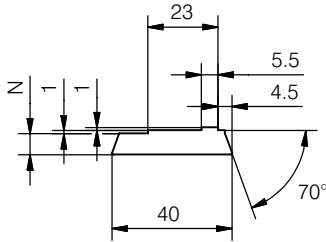
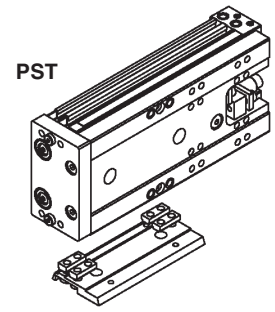
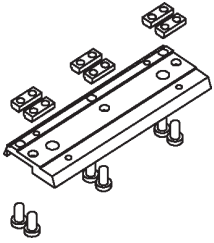
Size pst	Size PST	O	P	R	Mass (kg)	Part number w/o flange	Part number with flanges
12	12	15,5	7,5	50	0,18	P5K-SDB208	P5K-SDD187*
12	16	15,5	7,5	50	0,18	P5K-SDB209	P5K-SDD188*
16	16	15,5	7,5	59	0,23	P5K-SFB210	P5K-SFD189
16	20	15,5	7,5	59	0,23	P5K-SFB211	P5K-SFD190
20	20	17,5	8	72	0,34	P5K-SHB212	P5K-SHD191
20	25	17,5	8	72	0,33	P5K-SHB213	P5K-SHD192
25	25	17,5	8	72	0,41	P5K-SJB214	P5K-SJD193

* ⚠ These mountings require dovetail option on the Precision Slide Table size 12 (see page 39).
Built-in dovetail Precision Slide Table on other sizes

Mounting kits

Side mounting, on machine surface

Without flange



Size PST	F	H	N	Mass (kg)	Part number
12&16	55	90	5	0,09	P5K-SDD201
20&25	85	120	7	0,12	P5K-SHD202

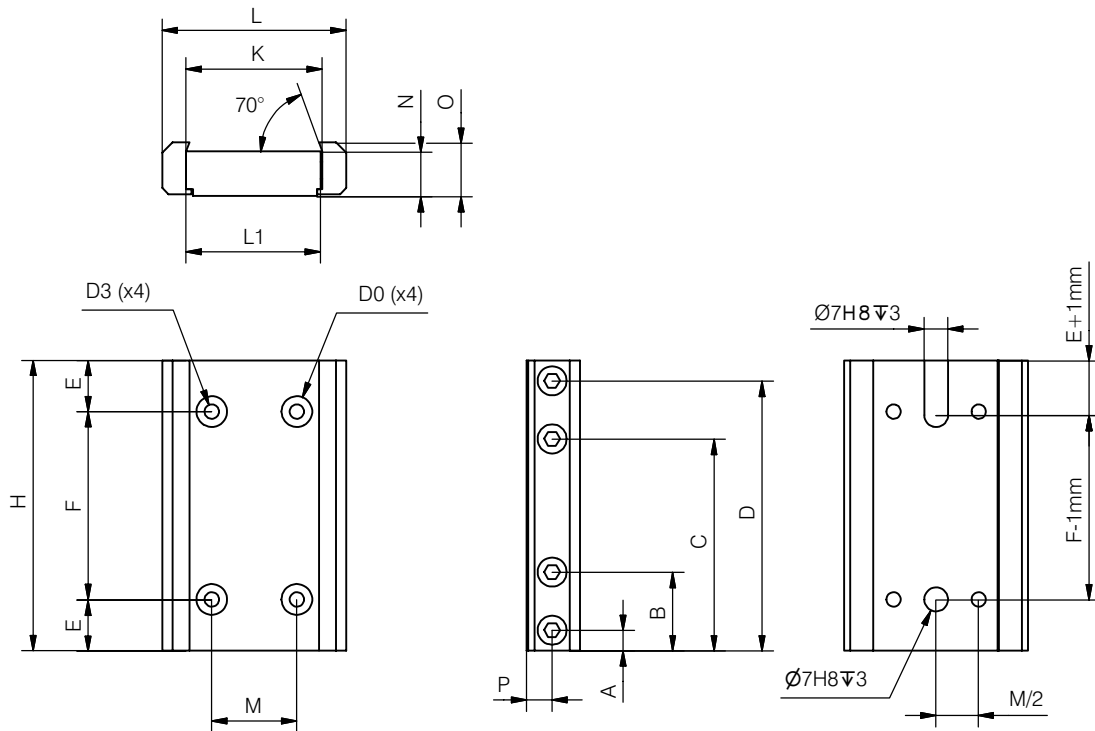
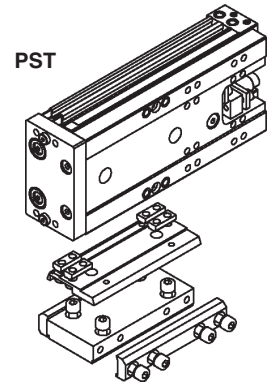
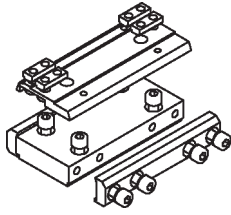


This mounting is possible only when there are no lateral options on the mounting 's side.

Mounting kits


Side mounting on machine surface

With dovetail flanges



Size PST	A	B	C	D	ØD0	ØD3	E	F	H	K	L	L1	M	N	O	P	Mass (kg)	Part number
12 & 16	6	23	62	79	9	M5	15	55	85	40	53.5	39	25	13	16	7.5	0.23	P5K-SHD173
20 & 25	6	23	62	79	9	M5	15	55	85	40	53.5	39	25	13	16	7.5	0.27	P5K-SDD186

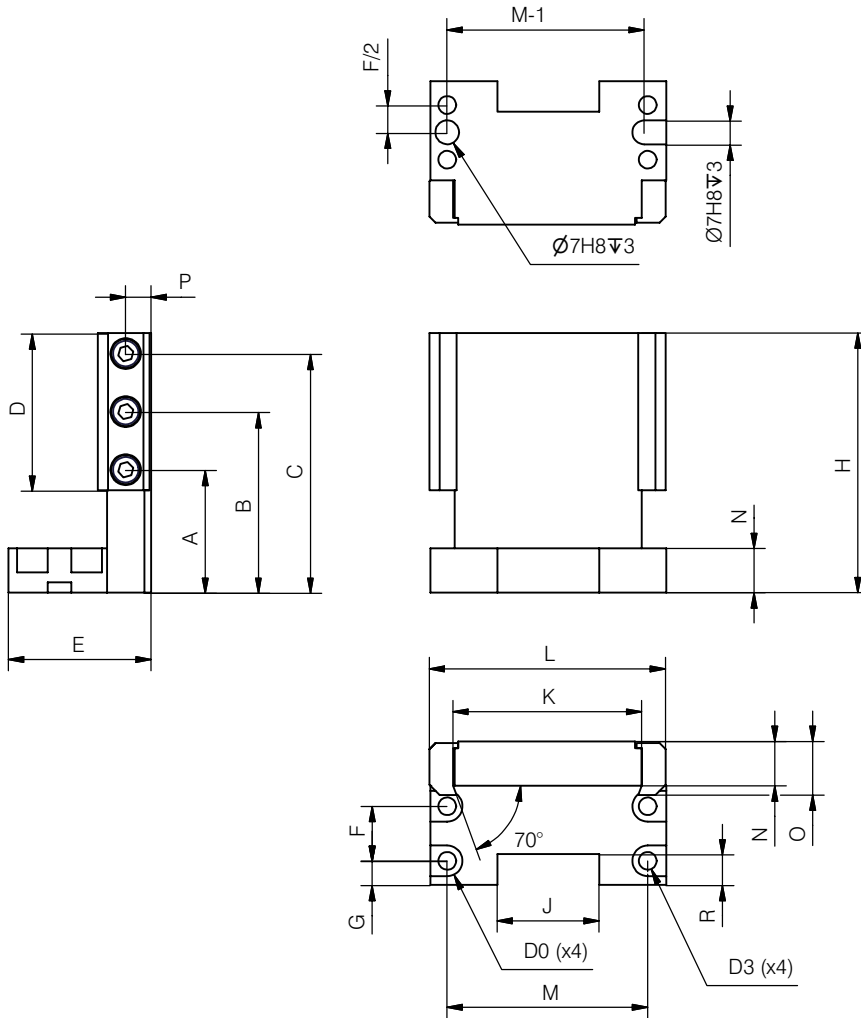
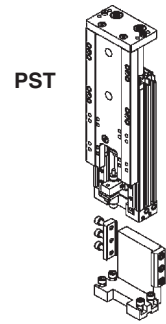
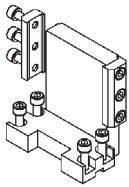
Note : Details of dovetail plate to built in Precision Slide Table : see page 32

 This mounting is possible only when there are no lateral options on the mounting's side.


Mounting kits

Lift unit mounting

With dovetail flanges



Size PST	A	B	C	D	ØD0	ØD3	E	F	G	H	J	K	L	M	N	O	P	R	Mass (kg)	Part number
12	33	50	67	46	8	M5	44	16	9	73	24	40	53,5	50	13	15,5	7,5	9	0,20	P5K-SDH178*
16	36	53	70	46	9	M6	42	16	7	76	30	56	69,5	59	13	15,5	7,5	9	0,26	P5K-SFH179
20	44	65	86	58	11	M8	52	23	8	94	36	70	83,5	72	14	17,5	8	12	0,40	P5K-SHH180
25	44	65	86	58	11	M8	53,5	23	9,5	94	41	90	103,5	86	14	17,5	8	8,5	0,50	P5K-SJH181

*  This mounting requires dovetail option on the Precision Slide Table size 12 (see page 39).

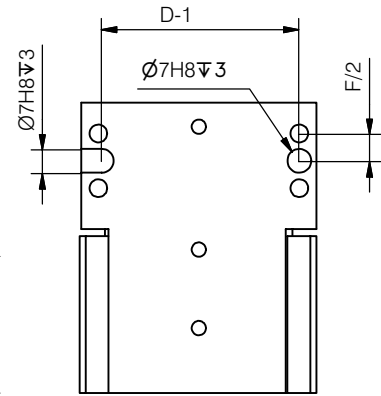
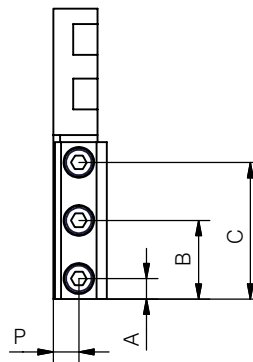
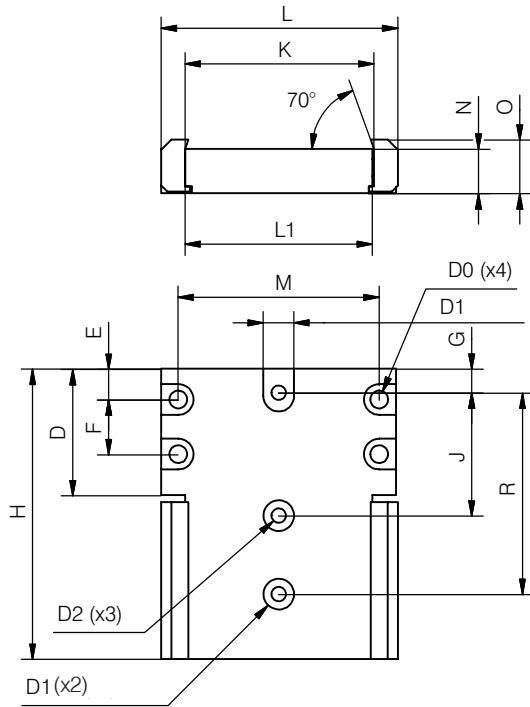
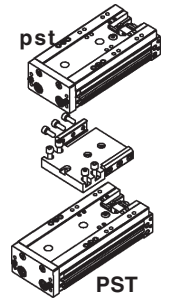
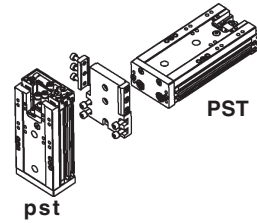
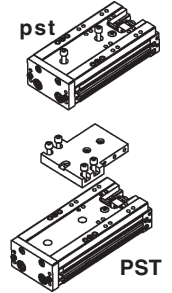
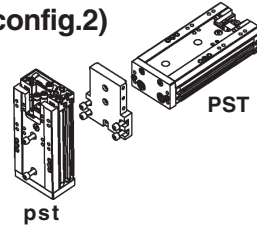
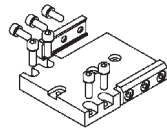
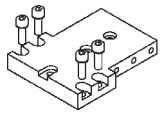
Built-in dovetail Precision Slide Table on other sizes

Mounting kits

Mounting at the end (config.1) / On Precision Slide Table (config.2)

Without flange

With dovetail flanges



Size pst	Size PST	A	B	C	D	ØD0	ØD1 H8	ØD2	E	F	G	H	J	K	L	L1	M	N	O
12	12	6	23	40	37	4	9 prof 3	M5	5	16	7	85	34	40	53,5	39	50	13	15,5
12	16	6	23	40	37	5	9 prof 3	M5	9	16	7	85	34	40	53,5	39	59	13	15,5
16	16	6	23	40	37	5	9 prof 3	M5	9	16	7	85	36	56	69,5	55	59	13	15,5
16	20	6	23	40	37	6	9 prof 3	M5	7	23	7	85	36	56	69,5	55	72	13	15,5
20	20	8	29	50	40	6	11 prof 3,5	M6	7	23	11	100	44	70	83,5	69	72	14	17,5
20	25	8	29	50	40	6	11 prof 3,5	M6	10	23	11	100	44	70	83,5	69	86	14	17,5
25	25	8	29	50	40	6	11 prof 3,5	M6	10	23	11	100	53	90	103,5	89	86	14	17,5

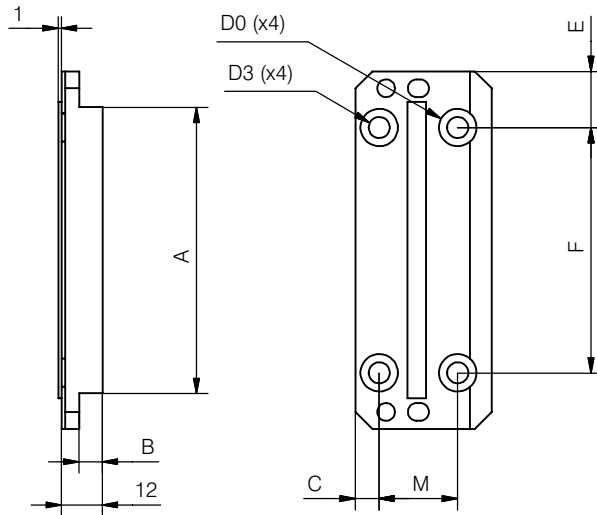
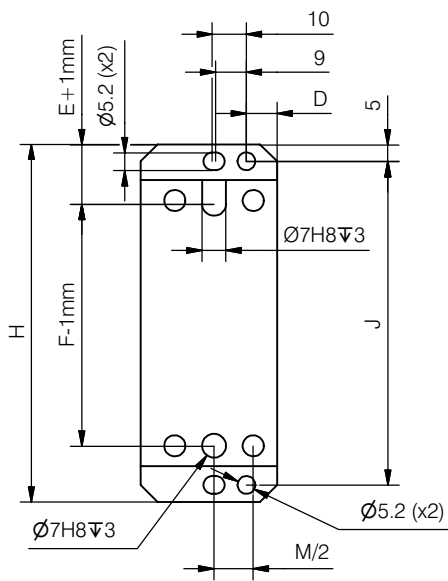
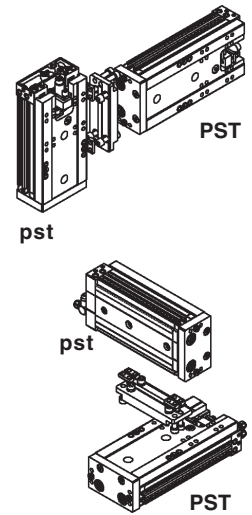
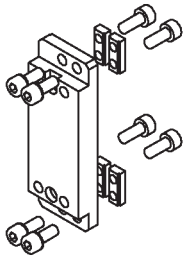
Size pst	Size PST	P	R	Mass (kg)	Part number w/o flange	Part number with flanges
12	12	7,5	50	0,19	P5K-SDD194	P5K-SDB215*
12	16	7,5	50	0,20	P5K-SDD195	P5K-SDB216*
16	16	7,5	59	0,23	P5K-SFD196	P5K-SFB217
16	20	7,5	59	0,24	P5K-SFD197	P5K-SFB218
20	20	8	72	0,33	P5K-SHD198	P5K-SHB219
20	25	8	72	0,36	P5K-SHD199	P5K-SHB220
25	25	8	72	0,40	P5K-SJD200	P5K-SJB221

* ⚠ These mountings require dovetail option on the Precision Slide Table size 12 (see page 39).
Built-in dovetail Precision Slide Table on other sizes

Mounting kits

Mounting at the end (config. 3) / On Precision Slide Table (config. 3)

Without flange



Size pst	Size PST	A	B	C	D	ØD0	ØD3	E	F	H	J	M	Mass (kg)	Part number
12	12	59	6,5	5	4,5	8 depth 7	4	15	50	80	70	16	0,09	P5K-SDB174
12 & 16	16	69	6,5	9	7,5	9 depth 8	5	15,5	59	90	80	16	0,11	P5K-SFB175
12, 16 & 20	20	84	7	7	9	11 depth 8	6	15,5	72	105	95	23	0,15	P5K-SHB176
12, 16, 20 & 25	25	99	7	10	11	11 depth 9	6	17	86	120	110	23	0,18	P5K-SJB177

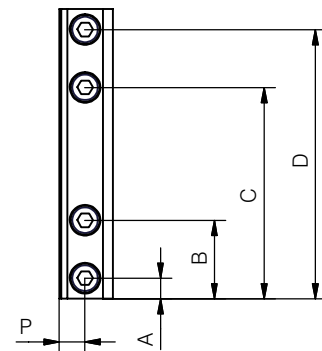
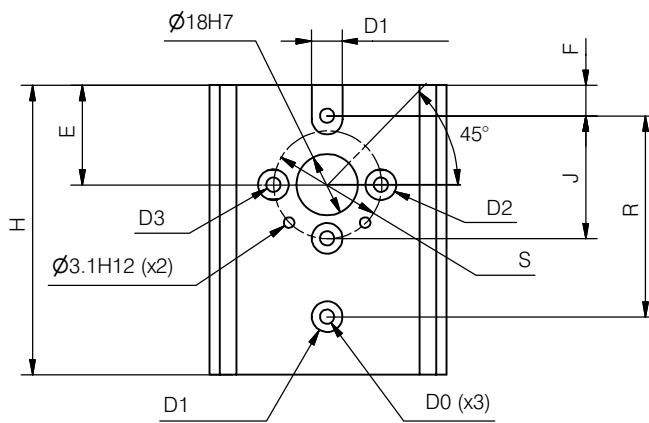
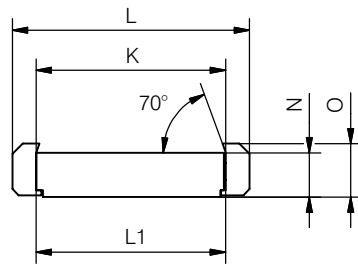
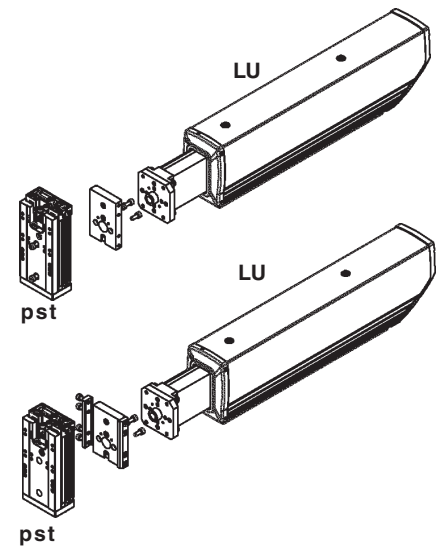
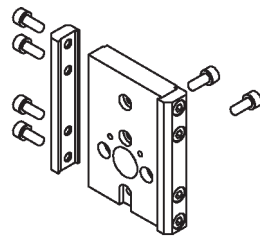
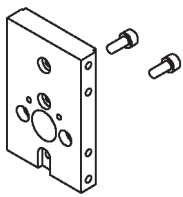
Theses mountings are possible only when there are no lateral options on the mounting 's side.

Mounting kits

Mounting to Linear Unit

Without flange

With dovetail flanges



Size pst	Size LU	A	B	C	D	ØD0	ØD1 H8	ØD2	ØD3	E	F	J	H	K	L	L1
12	1.2 & 3	6,5	26,5	58,5	78,5	M5	9 depth 3	9 depth 5 (x2)	M5 (x2)	25	7	34	85	40	53,5	39
16	1.2 & 3	6	23	62	79	M5	9 depth 3	9 depth 5 (x3)	M5 (x2)	29	9	36	85	56	53,5	55
20	1.2 & 3	8	29	71	92	M6	11 depth 3,5	9 depth 6 (x2)	M5 on Ø31,5 (x2) M6 on Ø50 (x2)	36	9	44	100	70	83,5	69
25	1.2 & 3	8	29	71	92	M6	11 depth 3,5	9 depth 6 (x3)	M5 on Ø31,5 (x3) M6 on Ø50 (x3)	46	9	53	100	90	103,5	89

Size pst	Size LU	N	O	P	R	ØS	Mass (kg)	Part number w/o flange	Part number with flanges
12	1.2 & 3	13	15,5	7,5	50	31,5	0,18	P5K-SDB204	P5K-SDD182*
16	1.2 & 3	13	15,5	7,5	59	31,5	0,23	P5K-SFB205	P5K-SFD183
20	1.2 & 3	14	17,7	8	72	31,5 & 50	0,33	P5K-SHB206	P5K-SHD184
25	1.2 & 3	14	17,7	8	72	31,5 & 50	0,40	P5K-SJB207	P5K-SJD185

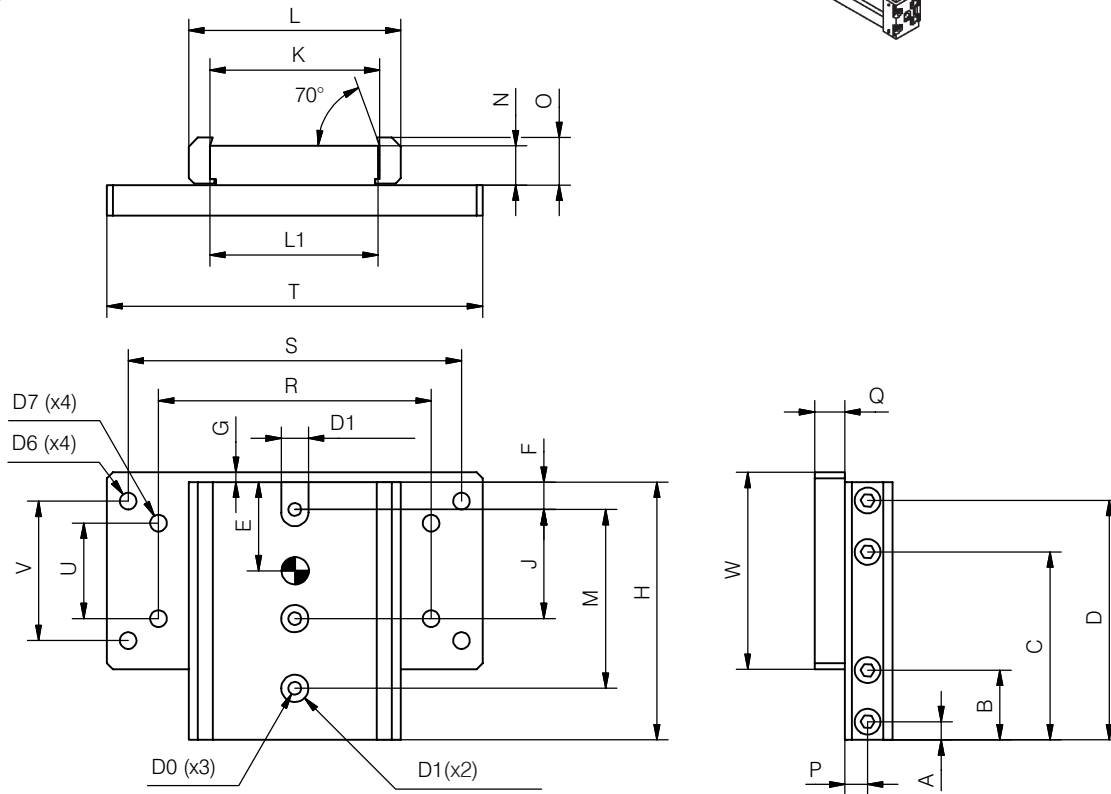
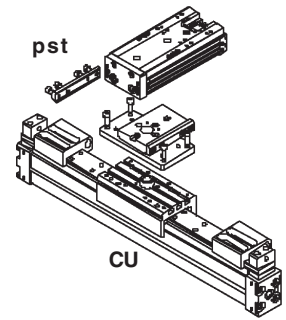
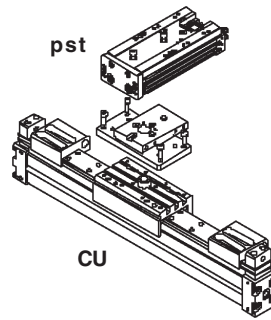
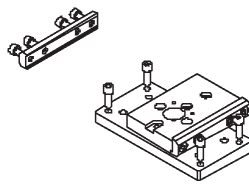
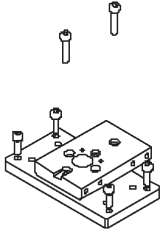
* This mounting requires dovetail option on the Precision Slide Table size 12 (see page 39).
Built-in dovetail Precision Slide Table on other sizes

Mounting kits

Mounting on Carrier

Without flange

With dovetail flanges



Size pst	Size CU	A	B	C	D	ØD0	ØD1 H8	E	F	G	H	J	K	L	L1	M	N	O	P	Q
12	1	6,5	26,5	58,5	78,5	M5	9 depth 3	25	7	7,5	85	34	40	53,5	39	50	13	15,5	7,5	10
16	1	6	23	62	79	M5	9 depth 3	29	9	3,25	85	36	56	53,5	55	59	13	15,5	7,5	10
16	2	6	23	62	79	M5	9 depth 3	29	9	5,75	85	36	56	53,5	55	59	13	15,5	7,5	10
20	1	8	29	71	92	M6	11 depth 3,5	36	9	-3,5	100	44	70	83,5	69	72	14	17,7	8	10
20	2	8	29	71	92	M6	11 depth 3,5	36	9	-1	100	44	70	83,5	69	72	14	17,7	8	10
20	3	8	29	71	92	M6	11 depth 3,5	36	9	11,5	100	44	70	83,5	69	72	14	17,7	8	12
25	1	8	29	71	92	M6	11 depth 3,5	46	9	-13,5	100	53	90	103,5	89	72	14	17,7	8	10
25	2	8	29	71	92	M6	11 depth 3,5	46	9	-11	100	53	90	103,5	89	72	14	17,7	8	10
25	3	8	29	71	92	M6	11 depth 3,5	46	9	1,5	100	53	90	103,5	89	72	14	17,7	8	12

Size pst	Size CU	R	S	T	U	V	W	ØD6	ØD7	Mass (kg)	Part number w/o flange	Part number with flanges
12	1	90	110	124	31,5	46	65	5,5	5,5	0,37	P5K-SDC237	P5K-SDE233
16	1	90	110	124	31,5	46	65	5,5	5,5	0,42	P5K-SDC302	P5K-SDE300
16	2	130	150	164	31,5	50	70	6,5	6,5	0,51	P5K-SFC238	P5K-SFE234
20	1	-	110	124	-	46	65	5,5	5,5	0,52	P5K-SFC303	P5K-SFE301
20	2	130	150	164	50	31,5	70	6,5	6,5	0,61	P5K-SHC231	P5K-SHE230
20	3	116	130	148	42	65	95	9	6,5	0,73	P5K-SJC239	P5K-SHE235
25	1	-	110	124	-	46	65	5,5	5,5	0,54	P5K-SJC305	-
25	2	130	150	164	50	31,5	70	6,5	6,5	0,68	P5K-SJC306	P5K-SJE304
25	3	116	130	148	42	65	95	9	6,5	0,80	P5K-SJC240	P5K-SJE236

Mounting kits

Mounting to Wrist Rotate unit

consult factory

Mounting kits

Mounting wrist rotate unit in line with Precision Slide Table

consult factory

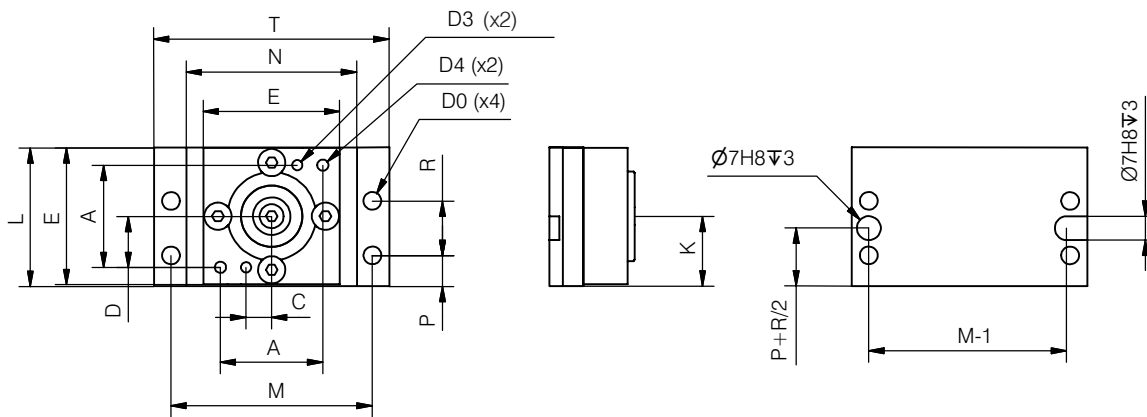
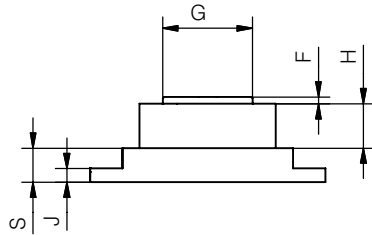
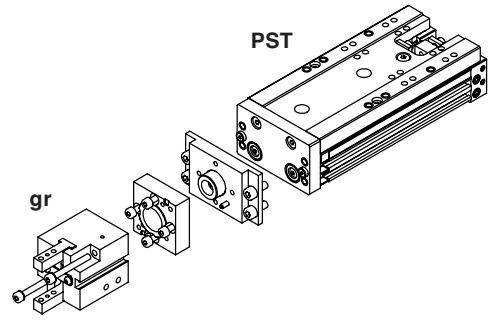
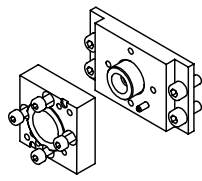
Mounting kits

Mounting Wrist rotate unit at 90° on Precision Slide Table

consult factory

Mounting kits

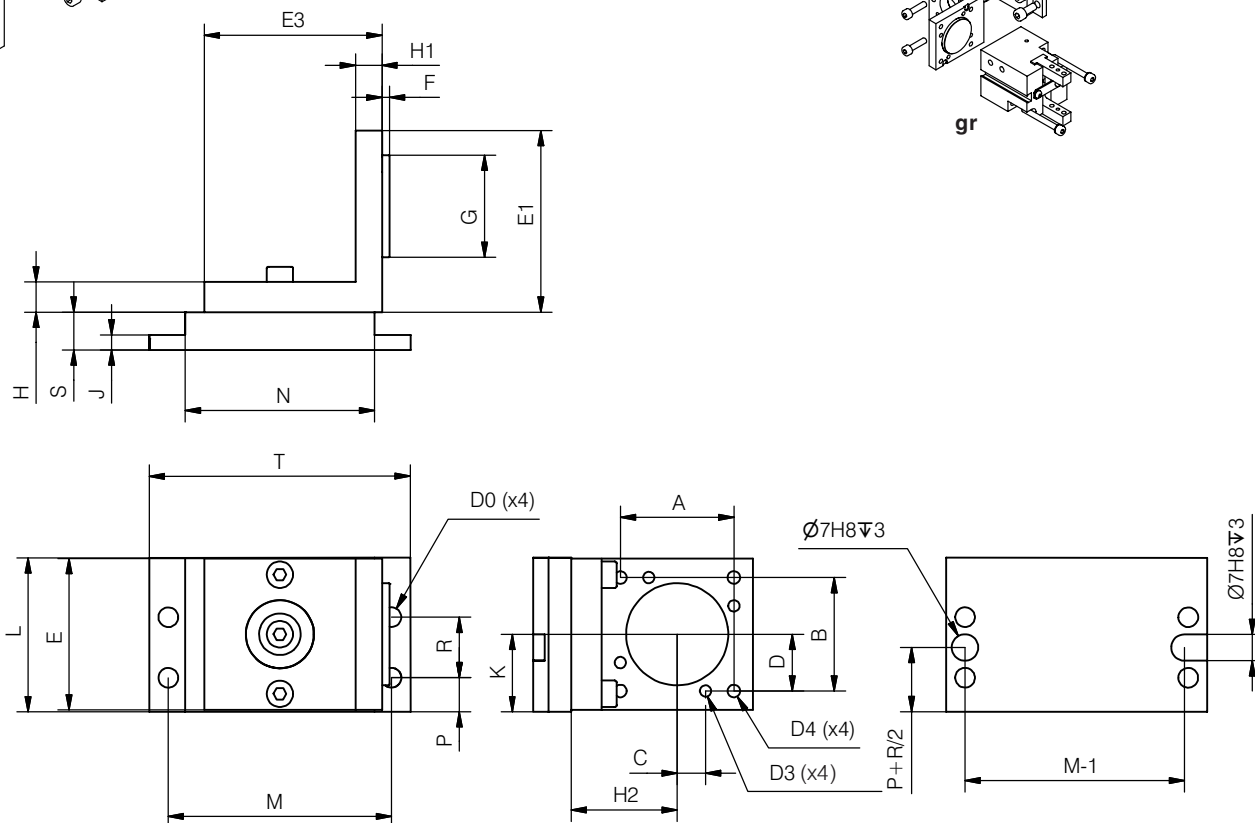
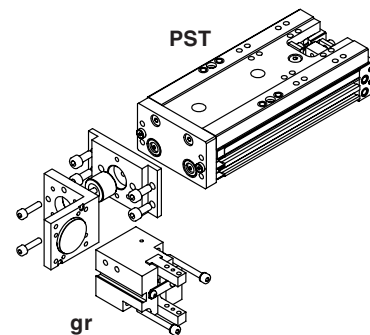
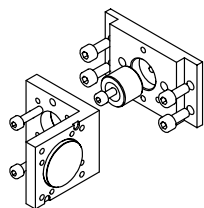
Mounting Grippers in line with Precision Slide Table



Size gr	Size PST	A	B	C	D	ØD0	ØD3 H12	ØD4	E	F	ØG f7	H	J	K	L	M	N	P	R	S	T	Mass (kg)	Part number
1	12	23	23	5	11,5	4	2,7	M3	40	1,2	18	13	5	18,5	36,5	50	42	5	16	10	59	0.133	P5K-G1C266
2	12	30	30	7,5	15	4	3,2	M4	40	2	27	13	5	18,5	36,5	50	42	5	16	10	59	0.133	P5K-G2C268
3	12	44	44	13	22	4	4,3	M5	60	2	43	18	5	18,5	36,5	50	42	5	16	10	59	0.233	P5K-G3C271
3H2	12	32	20	-	-	4	-	4xØ4,5	45	1,2	26	13	5	18,5	36,5	50	42	5	16	10	59	0.09	P5K-G2C280
1	16	23	23	5	11,5	5	2,7	M3	40	1,2	18	13	4	20,5	40,5	59	50	9	16	10	69	0.15	P5K-G1C267
2	16	30	30	7,5	15	5	3,2	M4	40	2	27	13	4	20,5	40,5	59	50	9	16	10	69	0.15	P5K-G2C269
3	16	44	44	13	22	5	4,3	M5	60	2	43	18	4	20,5	40,5	59	50	9	16	10	69	0.25	P5K-G3C272
4	16	52	52	14	28	5	5,3	M6	65	2	53	18	4	20,5	40,5	59	50	9	16	10	69	0.30	P5K-G4C275
3H2	16	32	20	-	-	4	-	4xØ4,5	45	1,2	26	13	4	20,5	40,5	59	50	9	16	10	69	0.10	P5K-G2C281
2	20	30	30	7,5	15	6	3,2	M4	40	2	27	13	5	25,5	50,5	72	61	7	23	12	84	0.20	P5K-G2C270
3	20	44	44	13	22	6	4,3	M5	60	2	43	18	5	25,5	50,5	72	61	7	23	12	84	0.30	P5K-G3C273
4	20	52	52	14	28	6	5,3	M6	65	2	53	18	5	25,5	50,5	72	61	7	23	12	84	0.35	P5K-G4C276
5	20	63	63	17,5	35	6	6,3	M8	90	2	67	18	5	25,5	50,5	72	61	7	23	12	84	0.55	P5K-G5C278
3H2	20	32	20	-	-	4	-	4xØ4,5	45	1,2	26	13	5	25,5	50,5	72	61	7	23	12	84	0.15	P5K-G2C282
3	25	44	44	13	22	6	4,3	M5	60	2	43	18	5	30,5	60,5	86	75	10	23	12	99	0.35	P5K-G3C274
4	25	52	52	14	28	6	5,3	M6	65	2	53	18	5	30,5	60,5	86	75	10	23	12	99	0.40	P5K-G4C277
5	25	63	63	17,5	35	6	6,3	M8	90	2	67	18	5	30,5	60,5	86	75	10	23	12	99	0.60	P5K-G5C279

Mounting kits

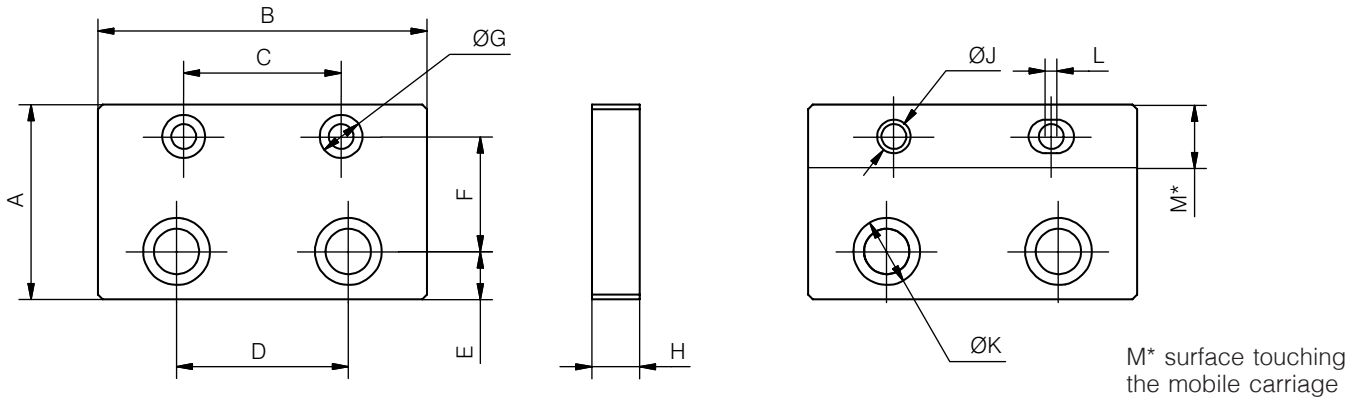
Mounting Grippers at 90° on Precision Slide table



Size	Size gr	Size PST	A	B	C	D	ØD0	ØD3 H12	ØD4	E	E1	E3	F	ØG f7	H	H1	H2	J	K	L	M	N	P	R	S	T	Mass (kg)	Part number
1	12	23	23	5	11.5	4	2.7	M3	40	48	47	1.2	18	8	7	28	5	18.5	36.5	50	42	5	16	10	59	0.143	P5K-G1C283	
2	12	30	30	7.5	15	4	3.2	M4	40	48	47	2	27	8	7	28	5	18.5	36.5	50	42	5	16	10	59	0.153	P5K-G2C285	
3	12	44	44	13	22	4	4.3	M5	60	67	72	2	43	12	10	39.5	5	18.5	36.5	50	42	5	16	10	59	0.283	P5K-G3C288	
3H2	12	32	20	-	-	4	-	4xØ4.5	45	53	47	1.2	26	8	13	30.5	5	18.5	36.5	50	42	5	16	10	59	0.153	P5K-G2C297	
1	16	23	23	5	11.5	5	2.7	M3	40	48	47	1.2	18	8	7	28	4	20.5	40.5	59	50	9	16	10	69	0.16	P5K-G1C284	
2	16	30	30	7.5	15	5	3.2	M4	40	48	47	2	27	8	7	28	4	20.5	40.5	59	50	9	16	10	69	0.17	P5K-G2C286	
3	16	44	44	13	22	5	4.3	M5	60	67	72	2	43	12	10	39.5	4	20.5	40.5	59	50	9	16	10	69	0.30	P5K-G3C289	
4	16	52	52	14	28	5	5.3	M6	65	77	72	2	53	12	10	44.5	4	20.5	40.5	59	50	9	16	10	69	0.37	P5K-G4C292	
3H2	16	32	20	-	-	4	-	4xØ4.5	45	53	47	1.2	26	8	13	30.5	4	20.5	40.5	59	50	9	16	10	69	0.17	P5K-G2C298	
2	20	30	30	7.5	15	6	3.2	M4	40	48	47	2	27	8	7	28	5	25.5	50.5	72	61	7	23	12	84	0.22	P5K-G2C287	
3	20	44	44	13	22	6	4.3	M5	60	67	72	2	43	12	10	39.5	5	25.5	50.5	72	61	7	23	12	84	0.35	P5K-G3C290	
4	20	52	52	14	28	6	5.3	M6	65	77	72	2	53	12	10	44.5	5	25.5	50.5	72	61	7	23	12	84	0.42	P5K-G4C293	
5	20	63	63	17.5	35	6	6.3	M8	90	106	104	2	67	16	14	61	5	25.5	50.5	72	61	7	23	12	84	0.88	P5K-G5C295	
3H2	20	32	20	-	-	4	-	4xØ4.5	45	53	47	1.2	26	8	13	30.5	5	25.5	50.5	72	61	7	23	12	84	0.22	P5K-G2C299	
3	25	44	44	13	22	6	4.3	M5	60	67	72	2	43	12	10	39.5	5	30.5	60.5	86	75	10	23	12	99	0.40	P5K-G3C291	
4	25	52	52	14	28	6	5.3	M6	65	77	72	2	53	12	10	44.5	5	30.5	60.5	86	75	10	23	12	99	0.47	P5K-G4C294	
5	25	63	63	17.5	35	6	6.3	M8	90	106	104	2	67	16	14	61	5	30.5	60.5	86	75	10	23	12	99	0.93	P5K-G5C296	

Option Blank plate

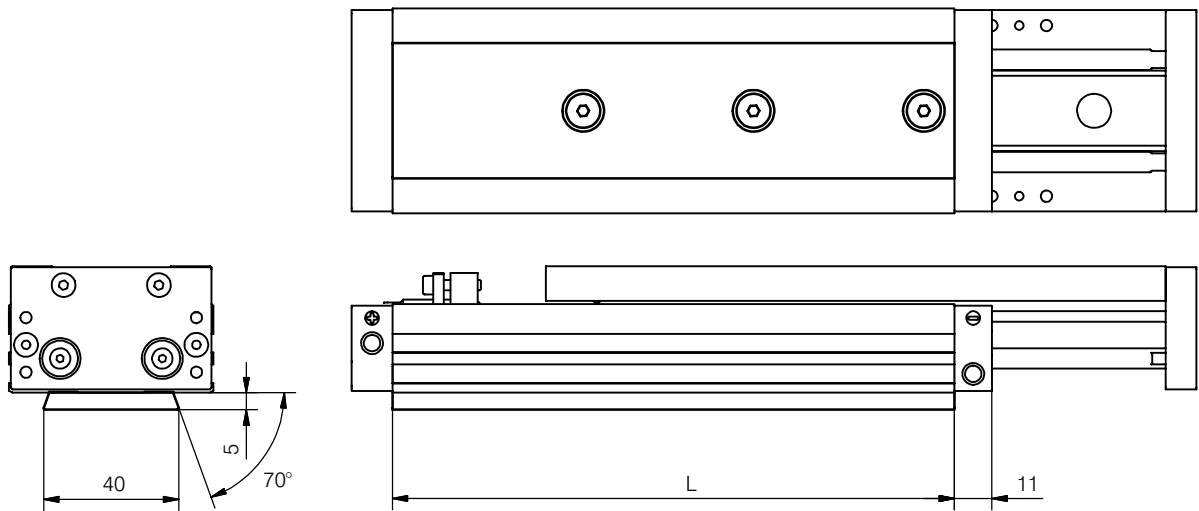
End plate for customised mounting (with no mounting holes)



Size pst	A	B	C	D	E	F	ØG	H	ØJ	ØK	L	M*	Mass (kg)	Part number
12	35,7	59	28	30	9	21,5	8	9	7	12	2,5	10	0,045	P5K-SDB159
16	40,7	69	33	36	10	24	9	10	7	14	2,5	12	0,067	P5K-SFB160
20	50,7	84	39	44	13	31	11	12	9	19,5	3,5	16	0,12	P5K-SHB161
25	60,7	99	46	54	16	36,5	15	14	11	21,5	4,5	20	0,20	P5K-SJB162

Option Dovetail size 12

Male dovetail plate for Size 12 Precision Slide Table (mounting with dovetail flanges)



Stroke	L	Mass (kg)	Part number
10	90	0,05	P5K-SDD203-010
25	90	0,05	P5K-SDD203-025
40	105	0,057	P5K-SDD203-040
55	120	0,065	P5K-SDD203-055
70	135	0,072	P5K-SDD203-070
100	165	0,088	P5K-SDD203-100

Spare parts

Repair kits for Precision Slide Table

Size	Part number
12	P5SPM 012 C6RM
16	P5SPM 016 C6RM
20	P5SPM 020 C6RM
25	P5SPM 025 C6RM

Repair kits for MPS and Locking

Size	Part number
12 to 25	P5SPM 000 C6RA

Hydraulic shock absorbers

Size	Part number
12	MC10EH-2359
16	MC25MH-NB-2358
20	MC75M3-NB-2358
25	MC150MH-2359

Plastic buffers

Size	Part number
12	9 534 623 AS
16	9 534 624 AS
20	9 534 625 AS
25	9 534 626 AS

Switches and Sensors

See page 26

Flow controllers

See page 23

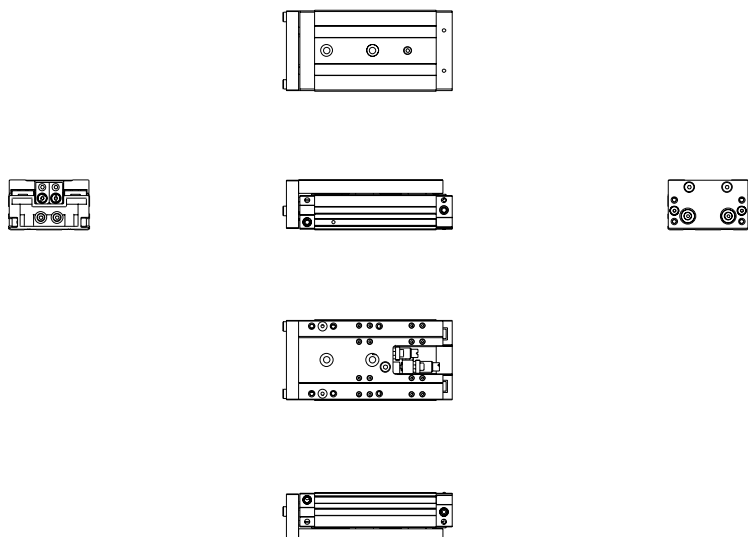
Software assistance

Contact Parker to obtain a free copy of the CD-Rom for PC

This CD-Rom generates a complete bill of 2D and 3D drawings of Precision Slide Tables and mountings.

Regarding 2D drawings : .dxf and .dwg format files

Regarding 3D drawings : .step, .iges and .cat format files



Pneumatic Division Sales Offices

Austria - Wr.Neustadt

Tel: +43 2622 23501
Fax: +43 2622 66212

Belgium - Nivelles

Tel: +32 067 280 900
Fax: +32 067 280 999

**Czech & Slovak
Republic - Prague**

Tel: +420 283 085 221
Fax: +420 283 085 360

Denmark - Ishøj

Tel: +45 43 560400
Fax: +45 43 733107

Finland - Vantaa

Tel: +358 9 4767 31
Fax: +358 9 4767 3201

France - Evreux

Tel: +33 820 825 239
Fax: +33 820 029 870

Germany - Mettmann

Tel: +49 2104 137-0
Fax: +49 2104 137-500

Greece - Athens

Tel: +30 10 933 6450
Fax: +30 10 933 6451

Hungary - Budapest

Tel: +36 1 220 4155
Fax: +36 1 422 1525

Italy - Corsico, Milan

Tel: +39 02 4519 21
Fax: +39 02 4479 340

Netherlands - Oldenzaal

Tel: +31 541 585000
Fax: +31 541 585459

Norway - Langhus

Tel: +47 6491 1000
Fax: +47 6491 1090

Poland - Warsaw

Tel: +48 22 863 49 42
Fax: +48 22 863 49 44

**Portugal - Leça da
Palmeira**

Tel: +351 22 999 7360
Fax: +351 22 996 1527

Romania - Bucharest

Tel: +40 21 252 3382
Fax: +40 21 252 3381

Russia - Moscow

Tel: +7 095 234 0054
Fax: +7 095 234 0528

Slovenia - Novo mesto

Tel: +386 7337 6650
Fax: +386 7337 6651

Spain - Madrid

Tel: +34 91 675 7300
Fax: +34 91 675 7711

Sweden - Spånga

Tel: +46 (0) 8 5979 5000
Fax: +46 (0) 8 5979 5110

Switzerland - Biel

Tel: +41 32 3653711
Fax: +41 32 3653730

UK - Cannock

Tel: +44 1543 456000
Fax: +44 1543 456001

Ukraine - Kiev

Tel: + 380 44 220 7432
Fax: + 380 44 220 6534



Parker Hannifin plc

Pneumatic Division,
Walkmill Lane, Bridgtown,
Cannock, Staffs. WS11 3LR
United Kingdom